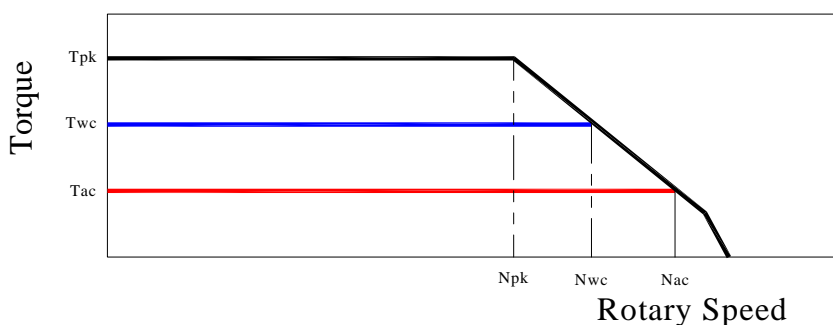
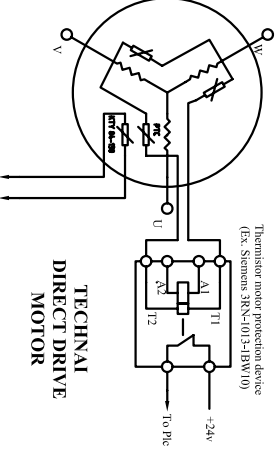
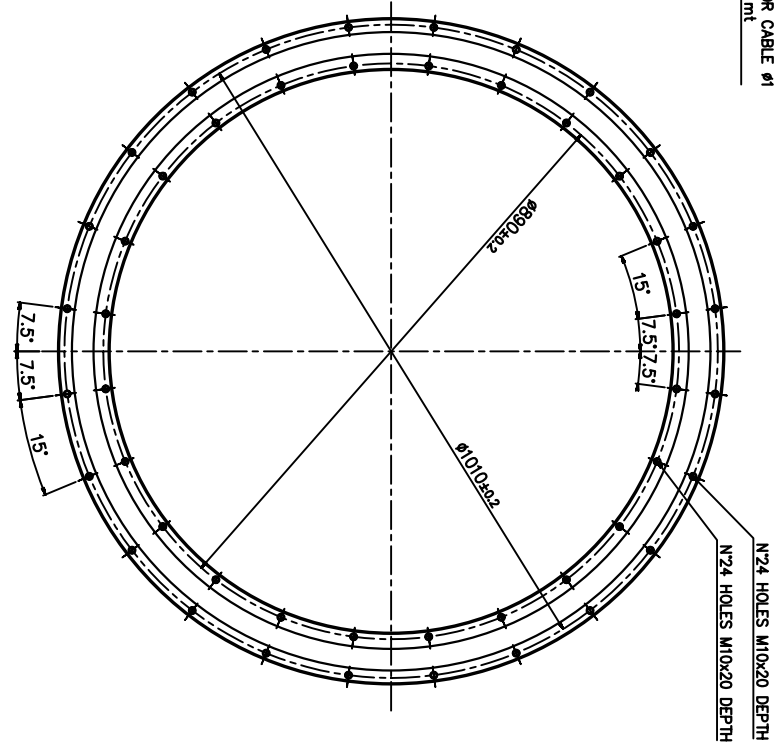
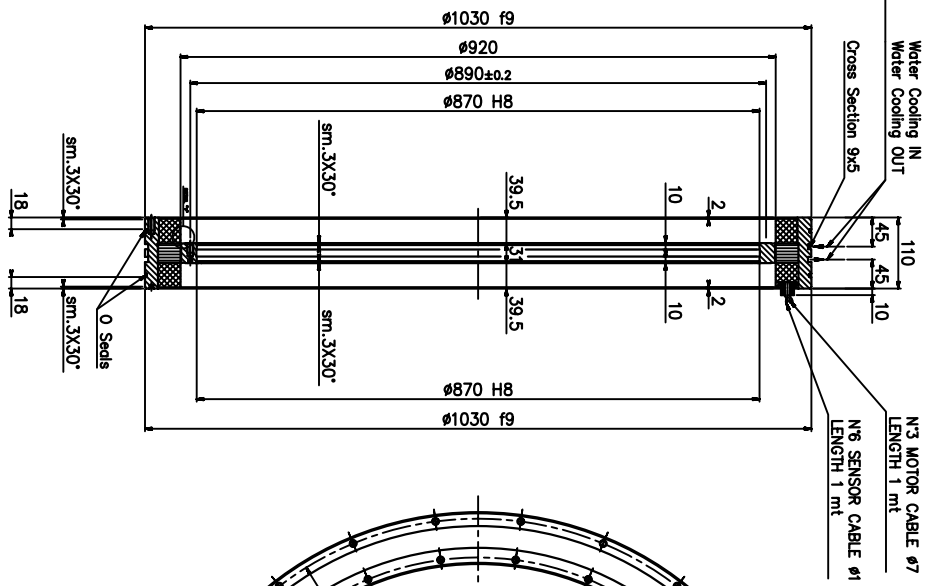
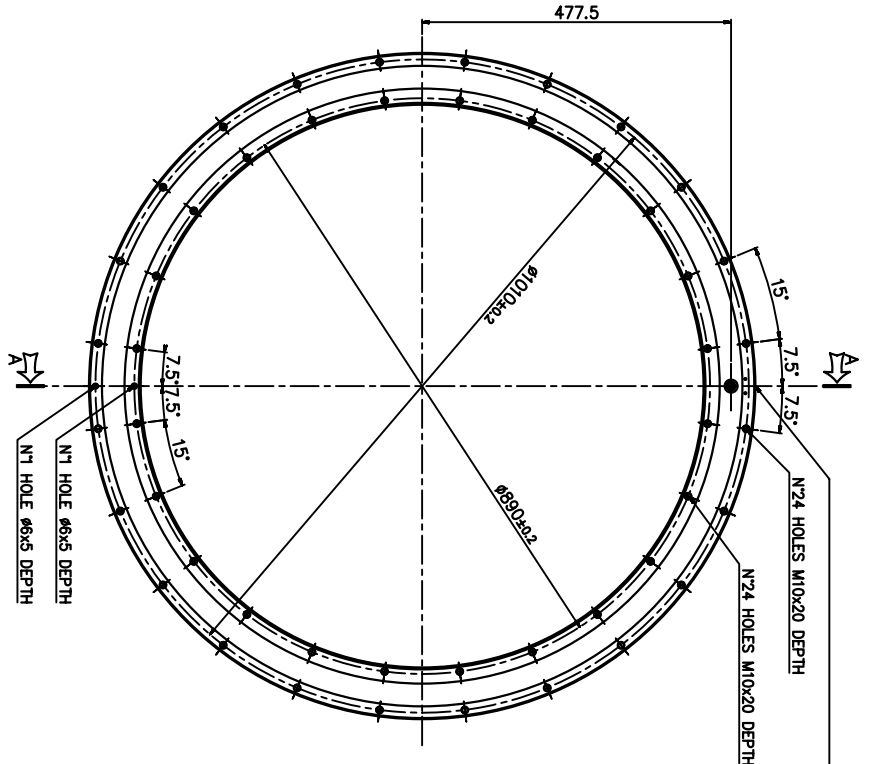


TORQUE MOTOR - MK-CI 990-030 WA

Motor specification	Symbol	Unit	
Number of pole	P		176
Peak Torque	T _{pk}	Nm	4023
Continuos Torque (Water Cooling Dt100)	T _{wc}	Nm	2124
Continuos Torque (Air Cooling Dt100)	T _{ac}	Nm	1068
Stall Torque (Water Cooling)	T _{wsc}	Nm	1622
Stall Torque (Air Cooling)	T _{sac}	Nm	815
Ripple Torque (Cogging Torque)	T _r	Nm	13
Power Loss at T _{wc}	P _{wc}	Kw	5,6
Power Loss at T _{ac}	P _{ac}	Kw	1,4
Termal Resistance Water Cooling	R _{thWc}	Kw	0,02
Termal Resistance Air Cooling	R _{thAc}	Kw	0,08
Torque Constant	K _t	Nm/a	50
Back EMF Constant	K _e	V/1000 Rpm	3025
Maximum Speed at I _{pk} at 600 Vdc	N _{pk}	rpm	31
Maximum Speed at I _{wc} at 600 Vdc	N _{wc}	rpm	74
Maximum Speed at I _{ac} at 600 Vdc	N _{ac}	rpm	105
Winding Resistance (Phase to Phase)	R ₂₀	Ω	1,28
Winding Inductance (Phase to Phase)	L	mh	10,25
Peak Current	I _{pk}	Arms	116
Continuos Current (Water Cooling Dt100)	I _{wc}	Arms	45,3
Continuos Current (Air Cooling Dt100)	I _{ac}	Arms	21,9
Stall Current at 0 Speed (Water Cooling)	I _{wsc}	Arms	34,6
Stall Current at 0 Speed (Air Cooling)	I _{sac}	Arms	16,7
Maximum Winding Temperature		°C	130
Height of Rotor		mm	30
Height of Stator		mm	110
Stator jacket outer diameter		mm	1030

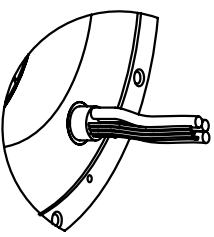
Torque diagram



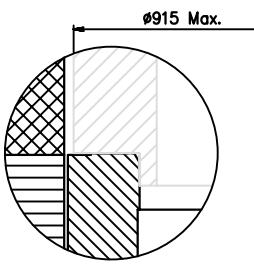


To Drive with KTY 84 input (Ex. Siemens SKN-10-3-18W10) with the appropriate rating

TECHNAI DIRECT DRIVE MOTOR



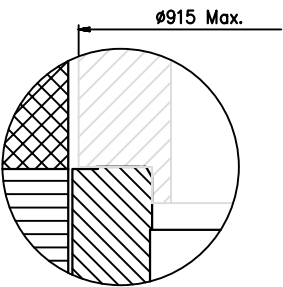
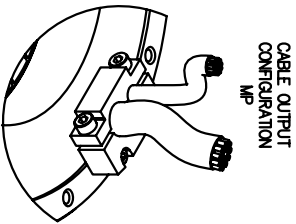
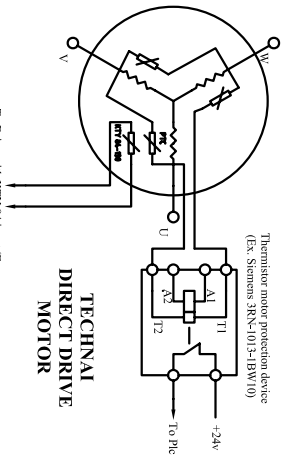
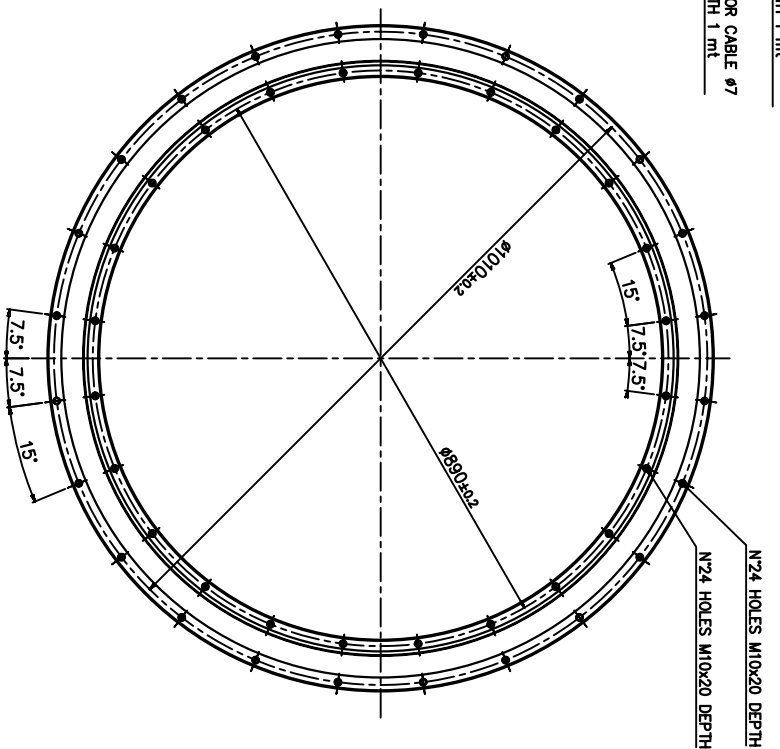
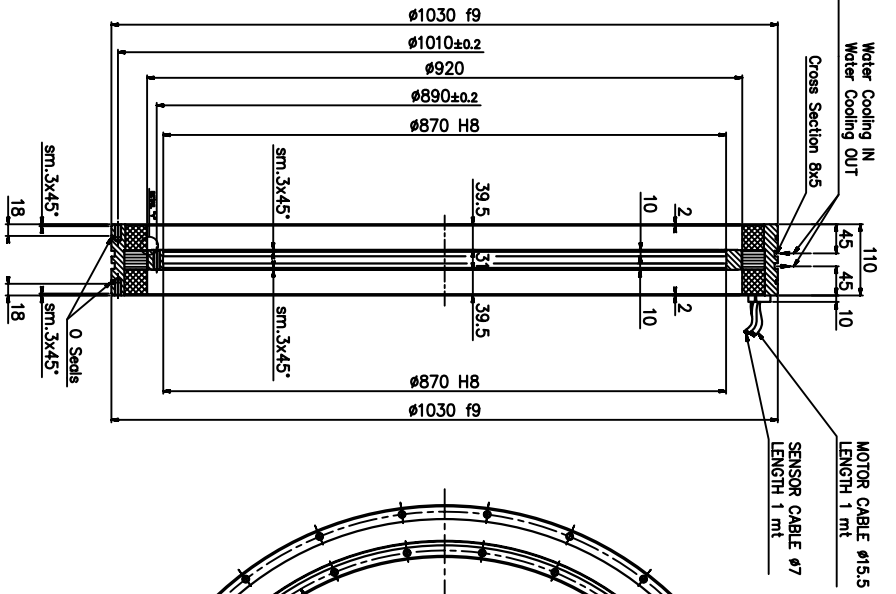
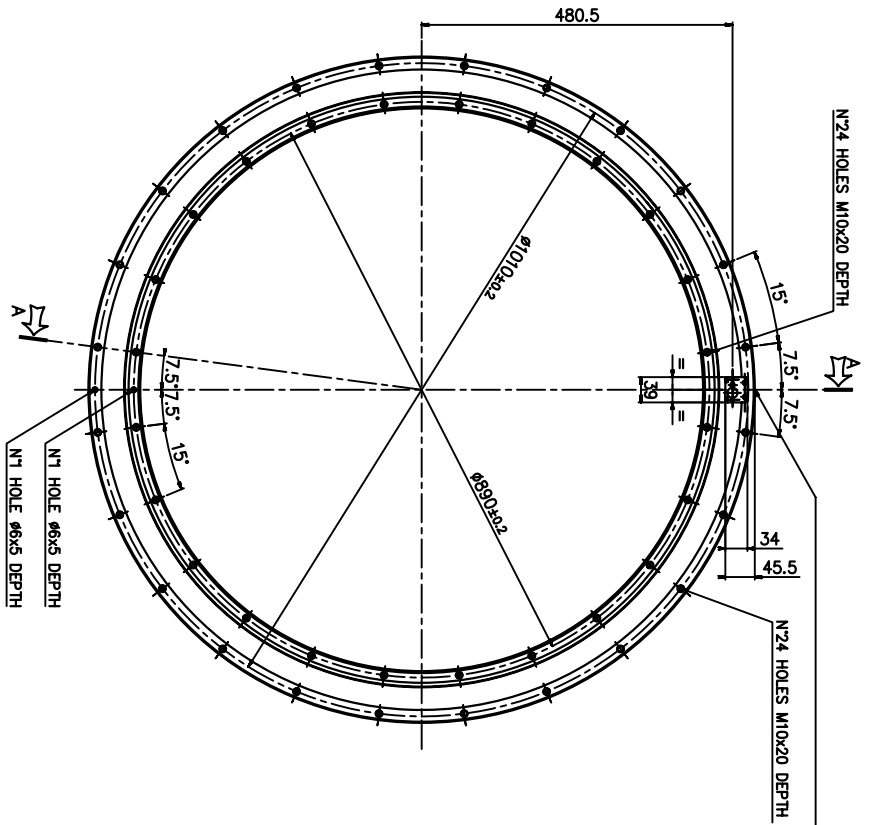
CABLE OUTPUT CONFIGURATION MF



DETAIL "y-y" ROTOR INTERFACE TO CUSTOMER SHAFT

TECHNAI		GENERAL ASSEMBLY	
MODEL	MARKING	REV.	DATE
MARK-CI 990-030 MF			
SHEET 1 OF 1			

Protezione esclusiva di TECHNAI Team s.r.l. - Riproduzione e distribuzione vietata, salvo autorizzazione scritta.



TECHNICAL ROTOR-STATOR KIT MK-CI 990 MK-CI 990-030 MP SHEET 1 OF 1		GENERAL ASSEMBLY MK	
DATE: 2013-08-20 DRAWN: [] CHECKED: [] APPROVED: []	SCALE: [] SHEET: [] OF []	PROJECT: [] CLIENT: []	DRAWING NO: []

Proprietà esclusiva di TECHNICAL Team s.r.l. - Riproduzione e distribuzione vietata, salvo autorizzazione esplicita.