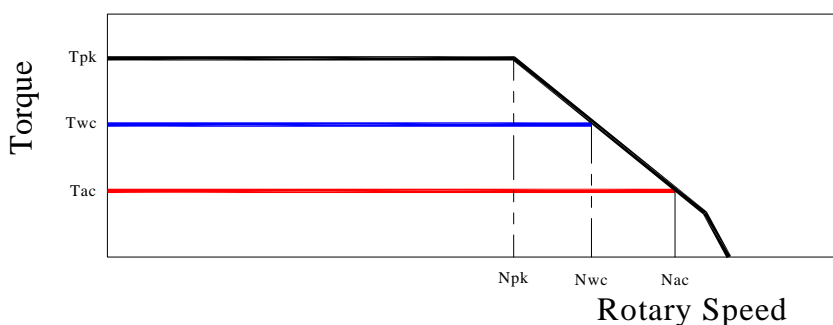
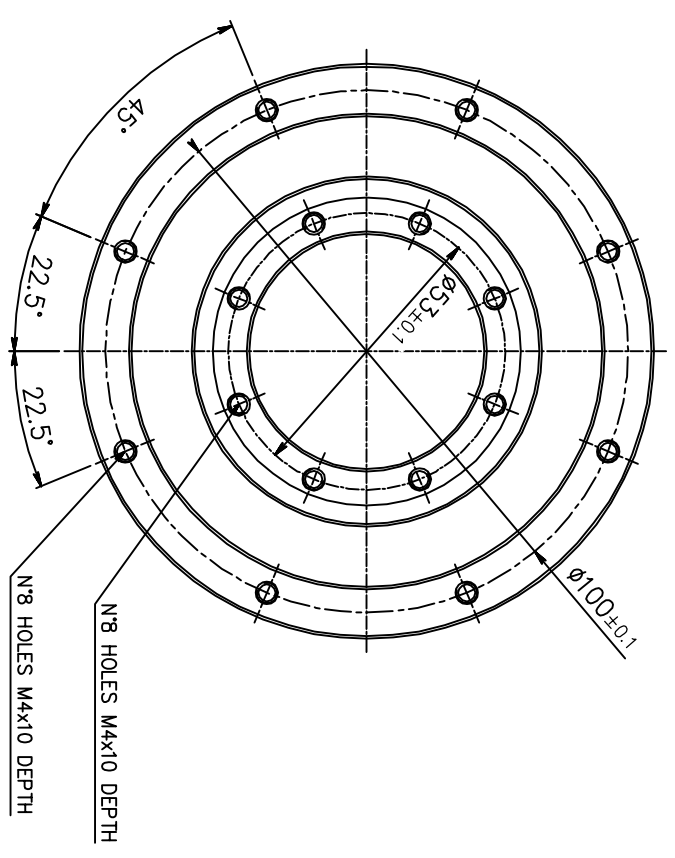
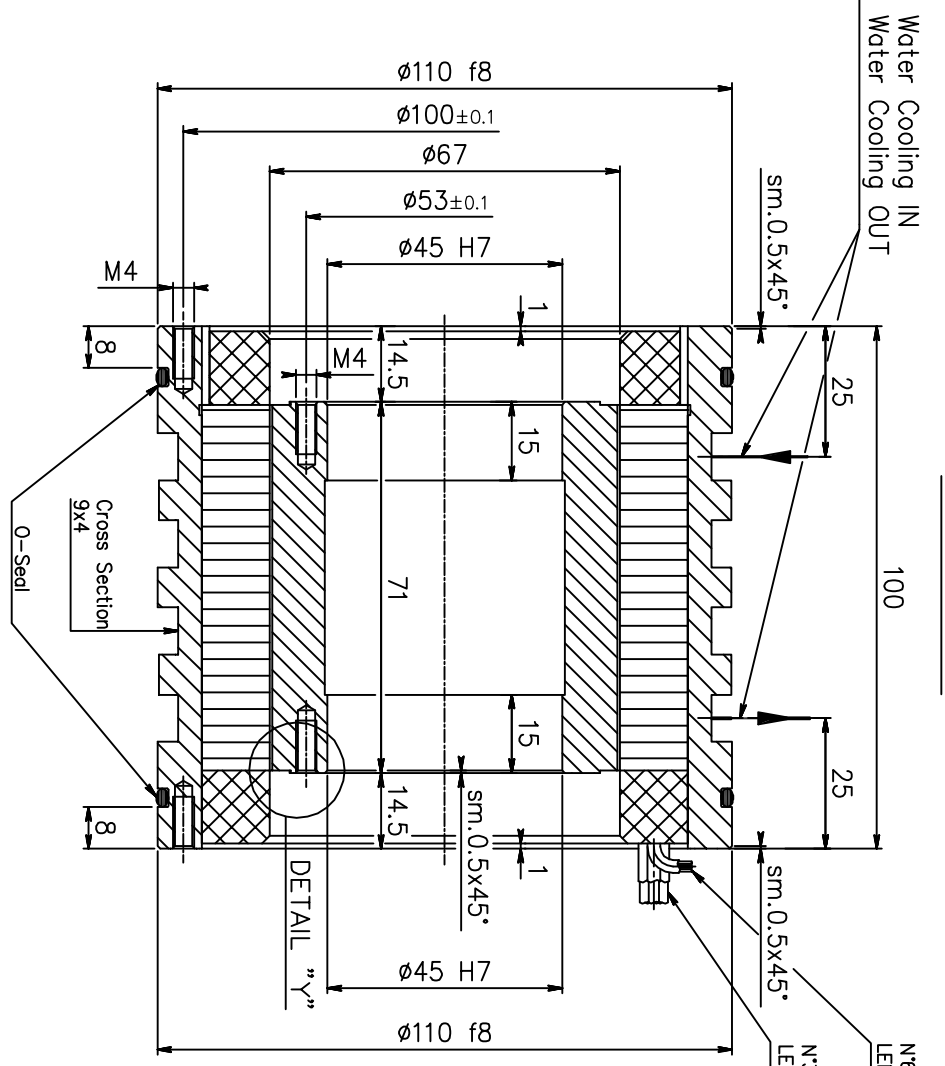
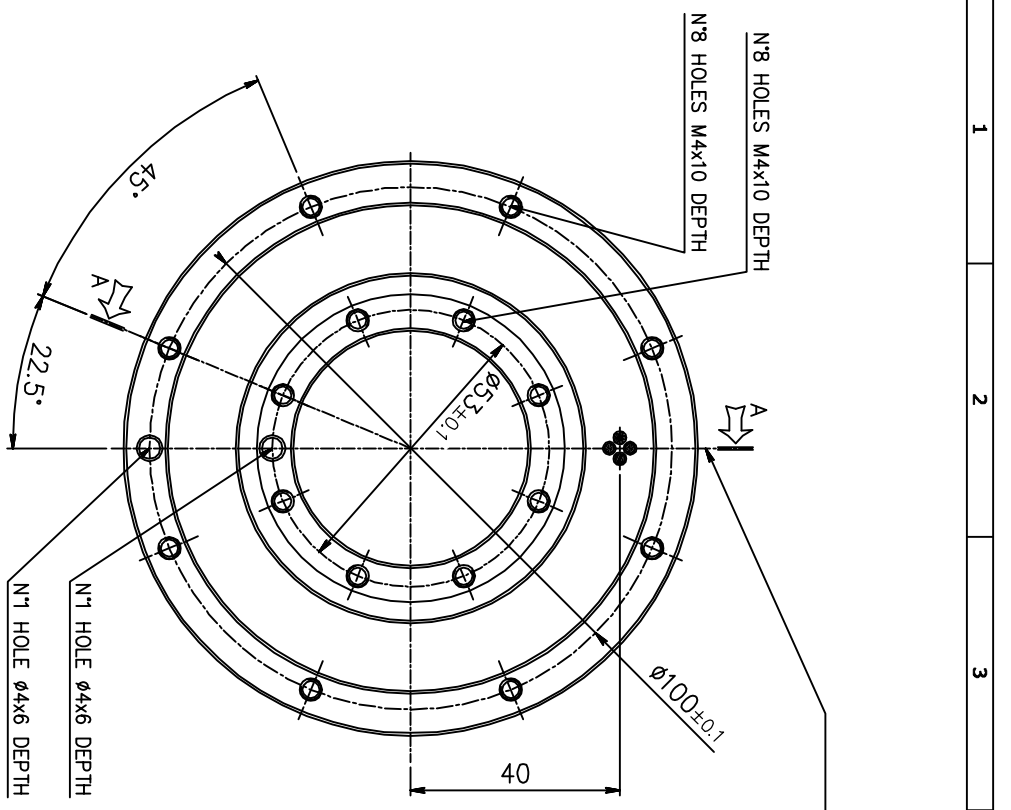


## TORQUE MOTOR - MK-CI 93-070 WA

Motor specification	Symbol	Unit	
Number of pole	P		22
Peak Torque	T <sub>pk</sub>	Nm	30
Continuos Torque (Water Cooling Dt100)	T <sub>wc</sub>	Nm	16,5
Continuos Torque (Air Cooling Dt100)	T <sub>ac</sub>	Nm	7,3
Stall Torque (Water Cooling)	T <sub>wsc</sub>	Nm	12,3
Stall Torque (Air Cooling)	T <sub>sac</sub>	Nm	5,6
Ripple Torque (Cogging Torque)	Tr	Nm	0,05
Power Loss at T <sub>wc</sub>	P <sub>wc</sub>	Kw	0,65
Power Loss at T <sub>ac</sub>	P <sub>ac</sub>	Kw	0,12
Termal Resistance Water Cooling	R <sub>thWc</sub>	Kw	0,155
Termal Resistance Air Cooling	R <sub>thAc</sub>	Kw	0,85
Torque Constant	K <sub>t</sub>	Nm/a	3,8
Back EMF Constant	K <sub>e</sub>	V/1000 Rpm	233
Maximum Speed at I <sub>pk</sub> at 600 Vdc	N <sub>pk</sub>	rpm	650
Maximum Speed at I <sub>wc</sub> at 600 Vdc	N <sub>wc</sub>	rpm	1250
Maximum Speed at I <sub>ac</sub> at 600 Vdc	N <sub>ac</sub>	rpm	1500
Winding Resistance (Phase to Phase)	R <sub>20</sub>	Ω	14,8
Winding Inductance (Phase to Phase)	L	mh	20,8
Peak Current	I <sub>pk</sub>	Arms	11,3
Continuos Current (Water Cooling Dt100)	I <sub>wc</sub>	Arms	4,5
Continuos Current (Air Cooling Dt100)	I <sub>ac</sub>	Arms	1,9
Stall Current at 0 Speed (Water Cooling)	I <sub>wsc</sub>	Arms	3,5
Stall Current at 0 Speed (Air Cooling)	I <sub>sac</sub>	Arms	1,5
Maximum Winding Temperature		°C	130
Height of Rotor		mm	70
Height of Stator		mm	105
Stator jacket outer diameter		mm	110

### Torque diagram





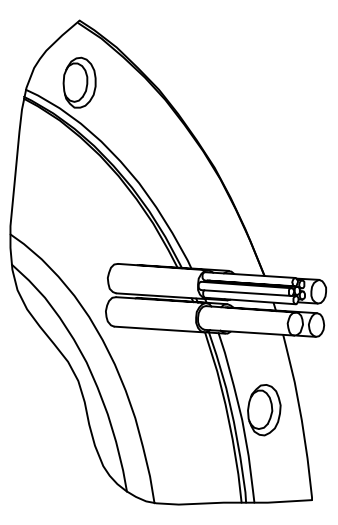
SECTION "A-A"

Water Cooling IN  
Water Cooling OUT

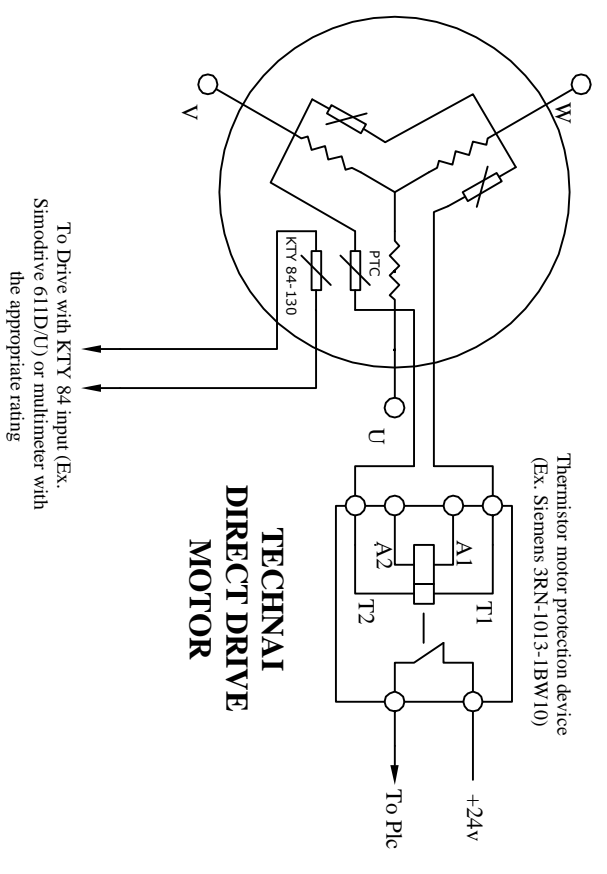
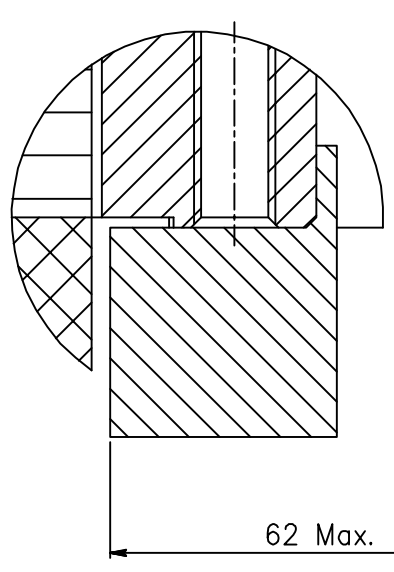
100

N°3 SENSOR CABLEC  $\phi$ e1  
LENGTH 1 mt  
N°3 MOTOR CABLE  $\phi$ e2  
LENGTH 1 mt

CABLE OUTPUT  
CONFIGURATION



DETAIL "Y"  
ROTOR INTERFACE TO  
CUSTOMER SHAFT



TECHNAI  
DIRECT DRIVE  
MOTOR

To Drive with KTY 84 input (Ex. Simodrive 611D/U) or multimeter with the appropriate rating

Thermistor motor protection device  
(Ex. Siemens 3RN-1013-1BW10)

M. MODEL		MATERIALE		DESCRIZIONE	
RAW MATERIAL		TECHNAI		GENERAL ASSEMBLY	
RAW DIMENSIONS		MATERIALE		MACHINE	
TREATMENT		TECHNAI		ROTOR-STATOR KIT MK-CI 93	
DESIGNER		SCALE		SHEET	
TECHNAI		28.03.2010		1 OF 1	
COD.		mm. 0		A2	
MK-CI 93-070		10 20 30 40 50 60 70 80 90 100		A2	