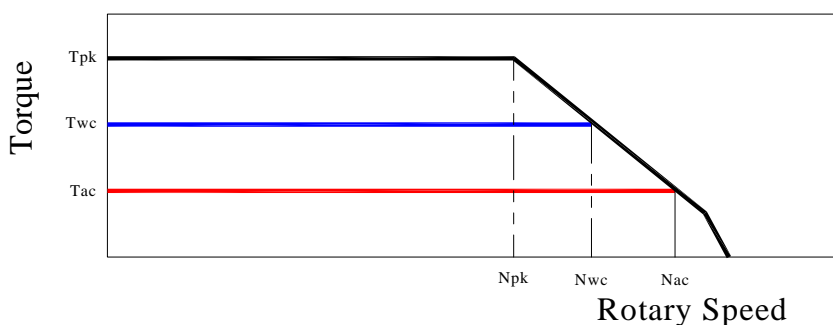
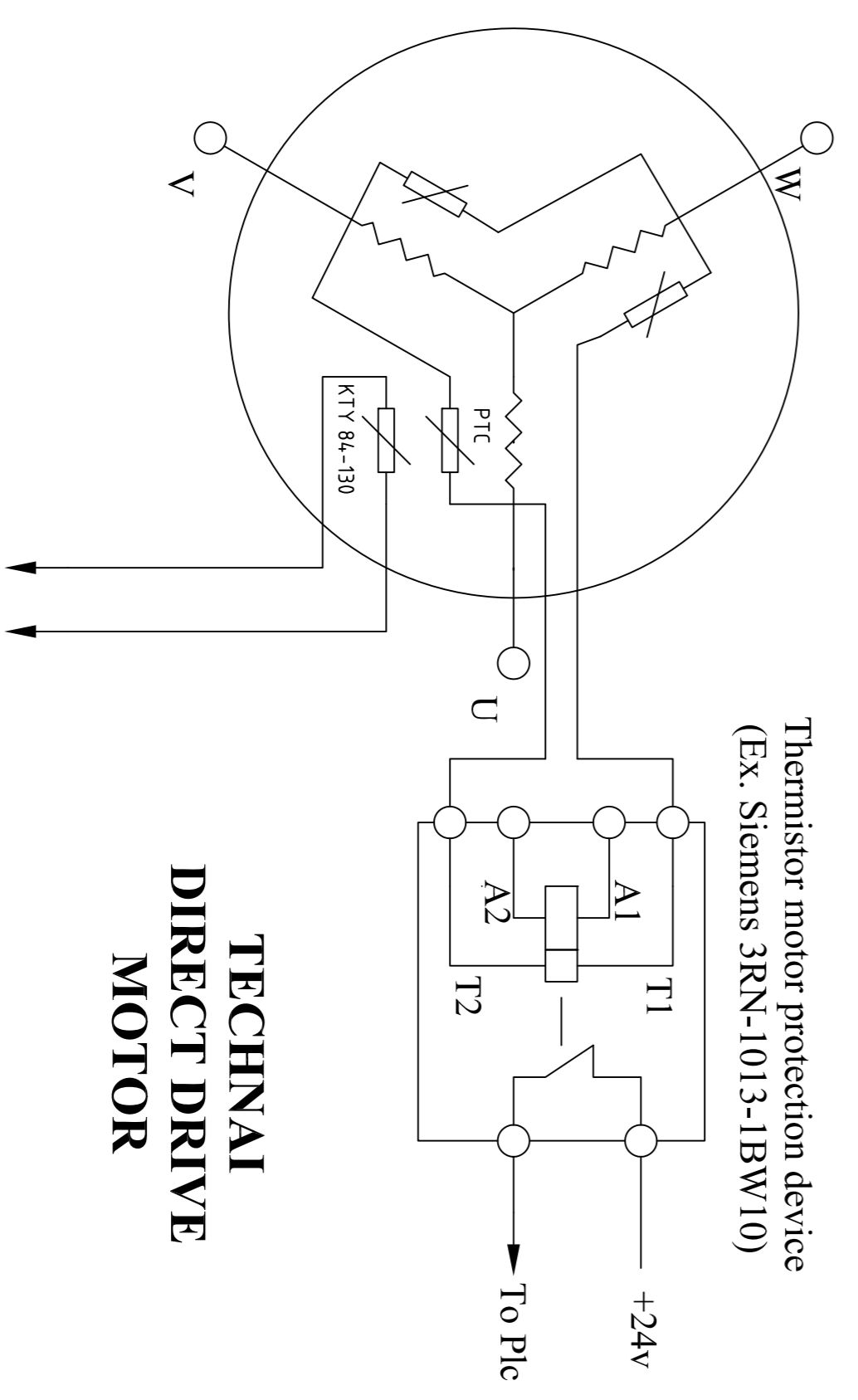
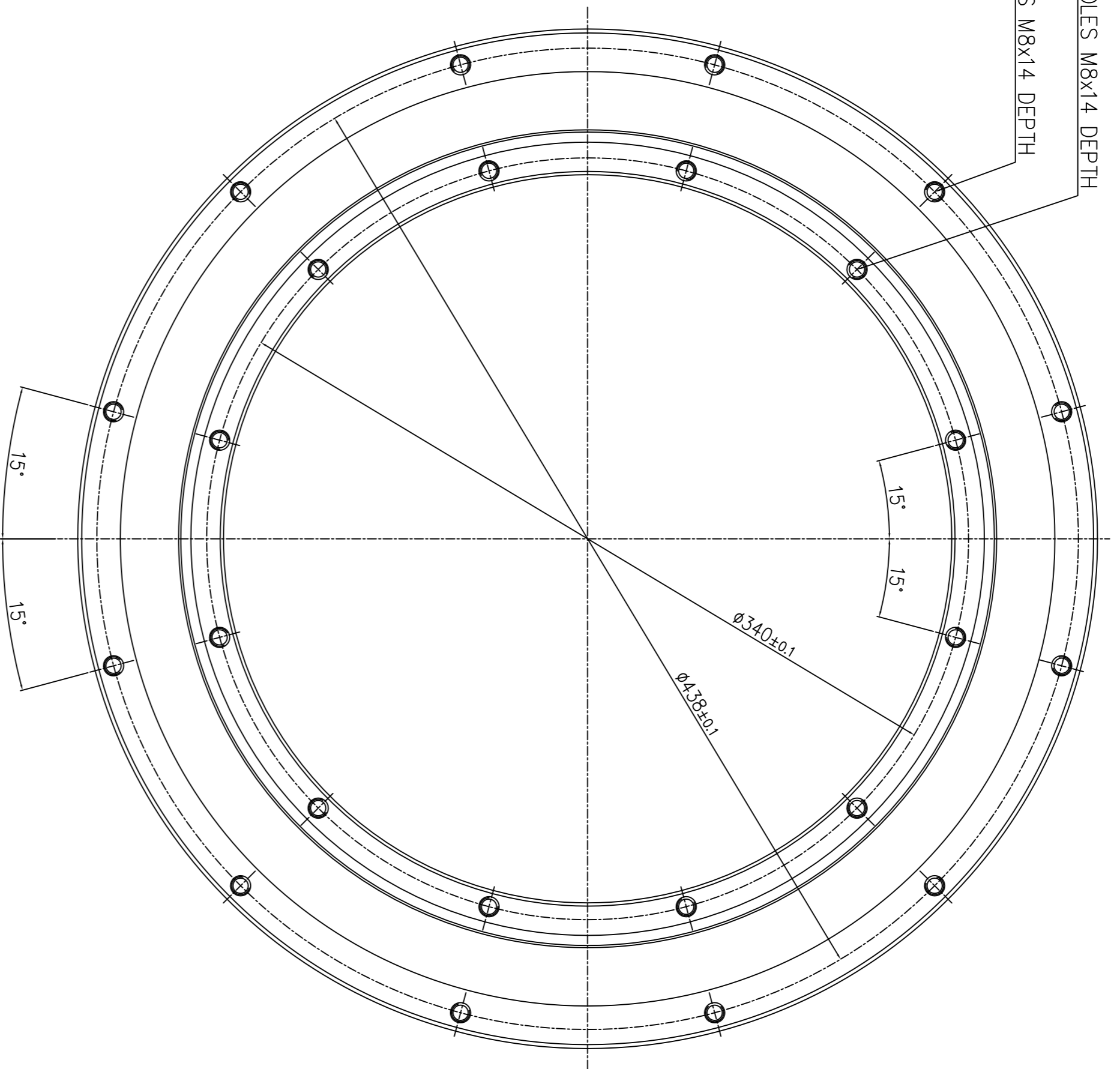
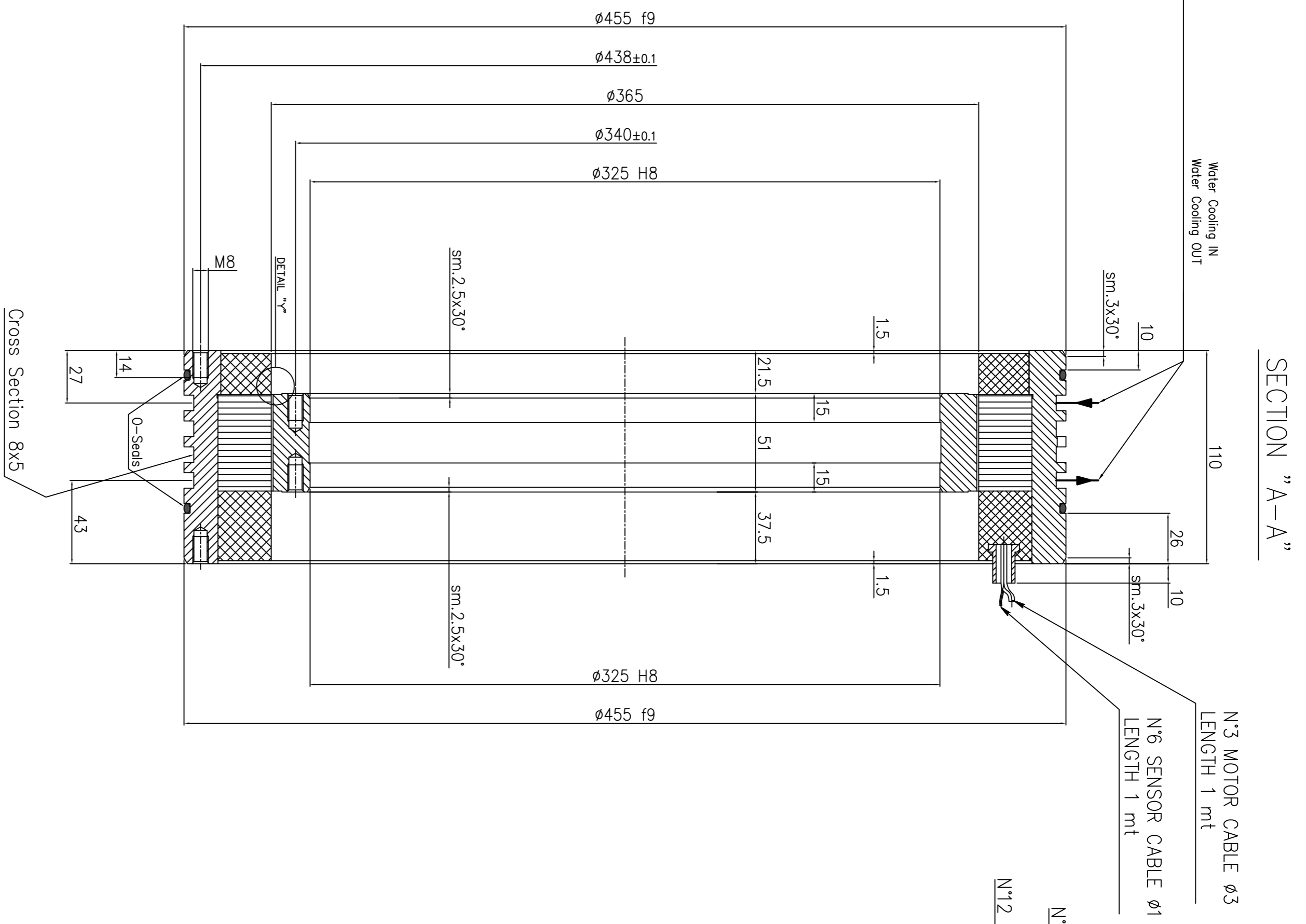
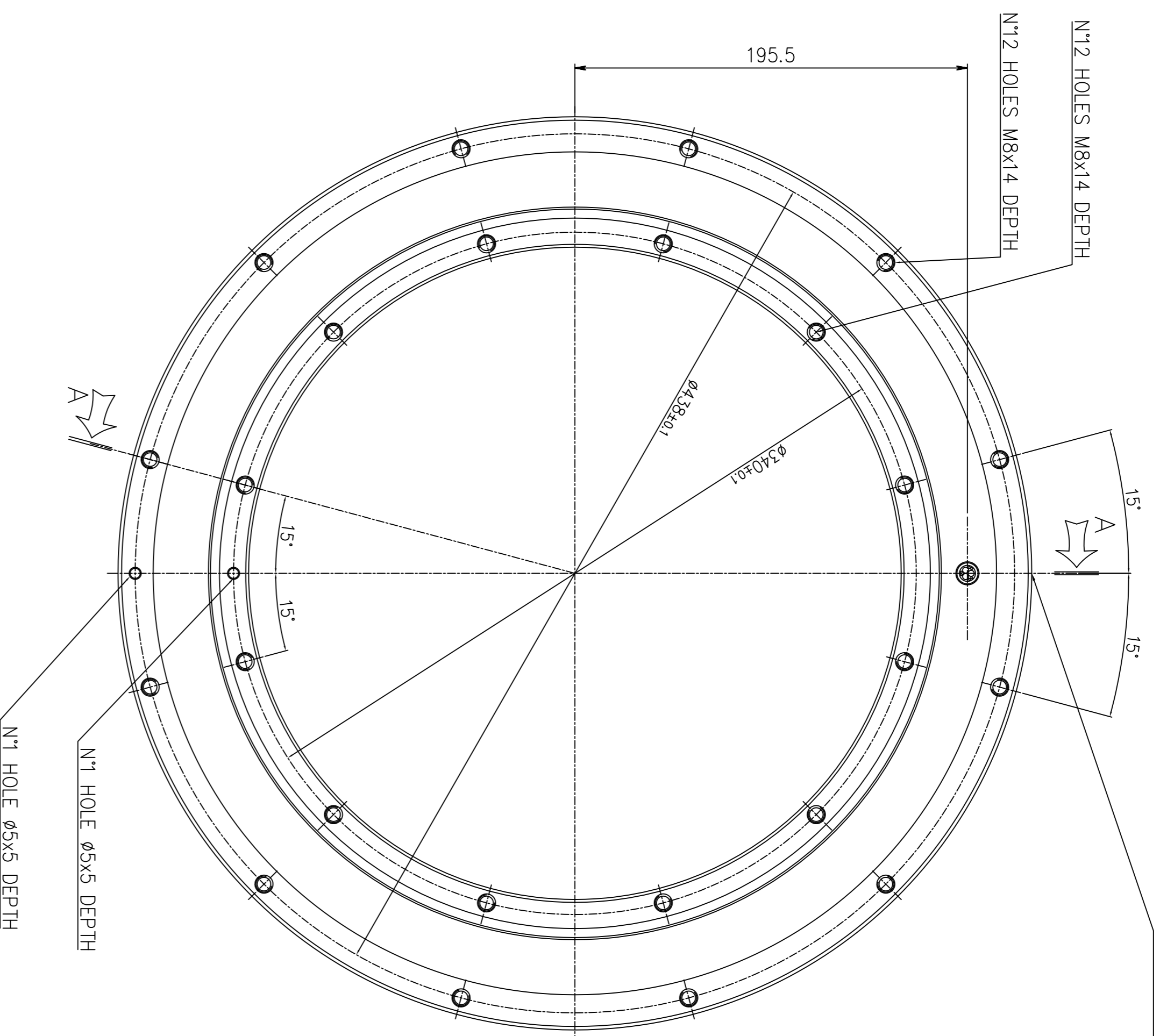


TORQUE MOTOR - MK-CI 420-070 WA

Motor specification	Symbol	Unit	
Number of pole	P		66
Peak Torque	T _{pk}	Nm	980
Continuos Torque (Water Cooling Dt100)	T _{wc}	Nm	691
Continuos Torque (Air Cooling Dt100)	T _{ac}	Nm	290
Stall Torque (Water Cooling)	T _{wsc}	Nm	527
Stall Torque (Air Cooling)	T _{sac}	Nm	223
Ripple Torque (Cogging Torque)	T _r	Nm	7
Power Loss at T _{wc}	P _{wc}	Kw	4,7
Power Loss at T _{ac}	P _{ac}	Kw	0,75
Termal Resistance Water Cooling	R _{thWc}	Kw	0,02
Termal Resistance Air Cooling	R _{thAc}	Kw	0,01
Torque Constant	K _t	Nm/a	28
Back EMF Constant	K _e	V/1000 Rpm	1692
Maximum Speed at I _{pk} at 600 Vdc	N _{pk}	rpm	77
Maximum Speed at I _{wc} at 600 Vdc	N _{wc}	rpm	138
Maximum Speed at I _{ac} at 600 Vdc	N _{ac}	rpm	200
Winding Resistance (Phase to Phase)	R ₂₀	Ω	3,2
Winding Inductance (Phase to Phase)	L	mh	20,4
Peak Current	I _{pk}	Arms	50,5
Continuos Current (Water Cooling Dt100)	I _{wc}	Arms	26,5
Continuos Current (Air Cooling Dt100)	I _{ac}	Arms	10,7
Stall Current at 0 Speed (Water Cooling)	I _{wsc}	Arms	20,2
Stall Current at 0 Speed (Air Cooling)	I _{sac}	Arms	8,1
Maximum Winding Temperature		°C	130
Height of Rotor		mm	70
Height of Stator		mm	130
Stator jacket outer diameter		mm	455

Torque diagram

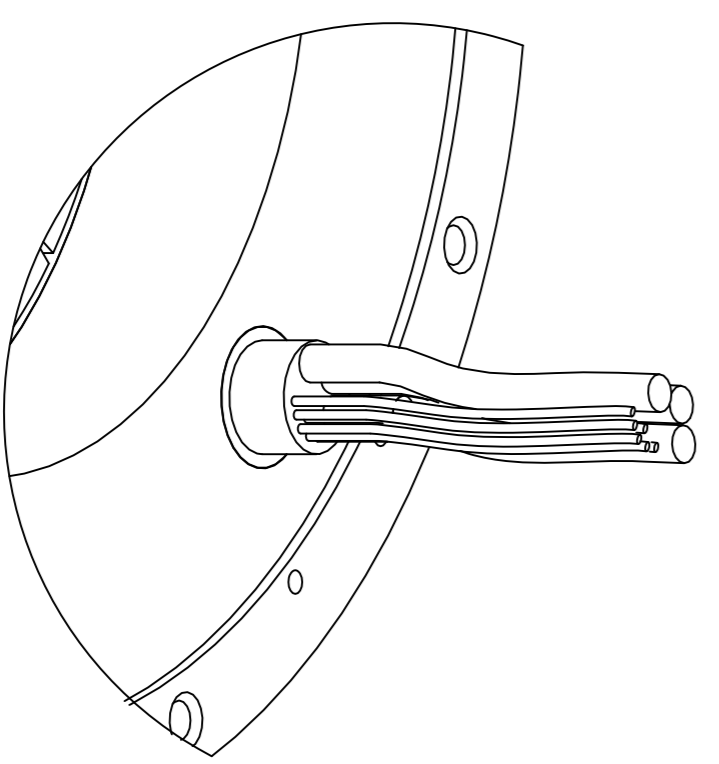




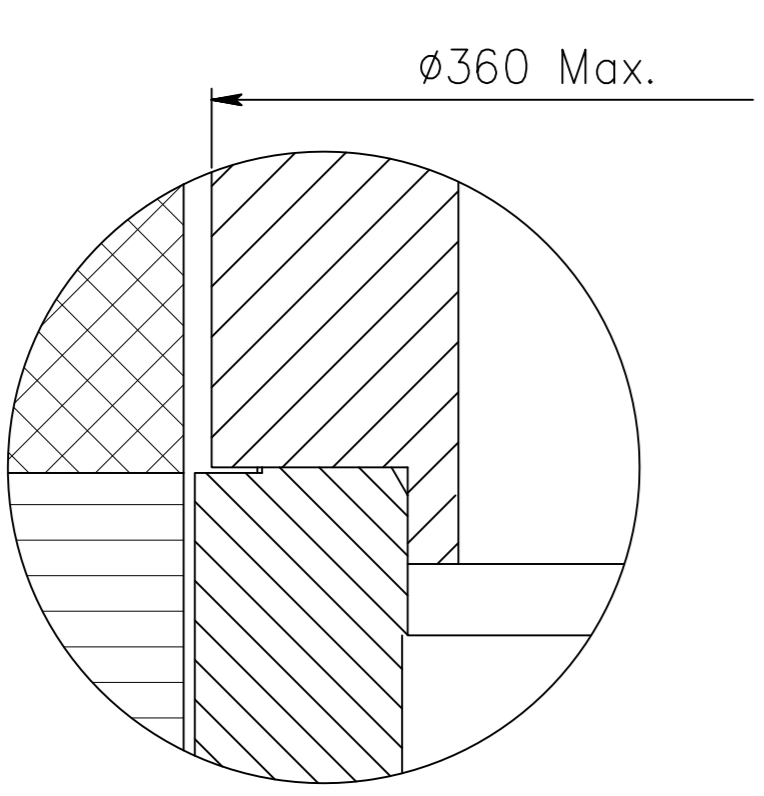
**TECHNAI
DIRECT DRIVE
MOTOR**

To Drive with KTY 84 input (Ex. Simodrive 611D/U) or multimeter with the appropriate rating

CABLE OUTPUT
CONFIGURATION
MF

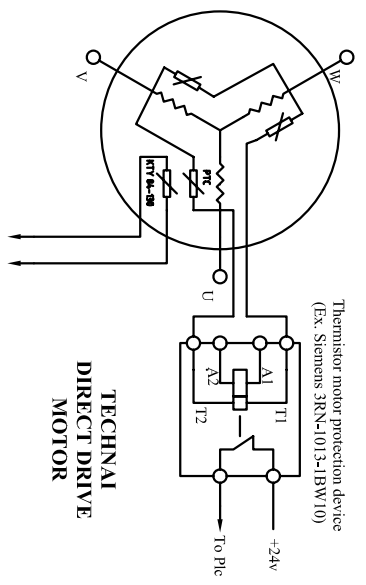
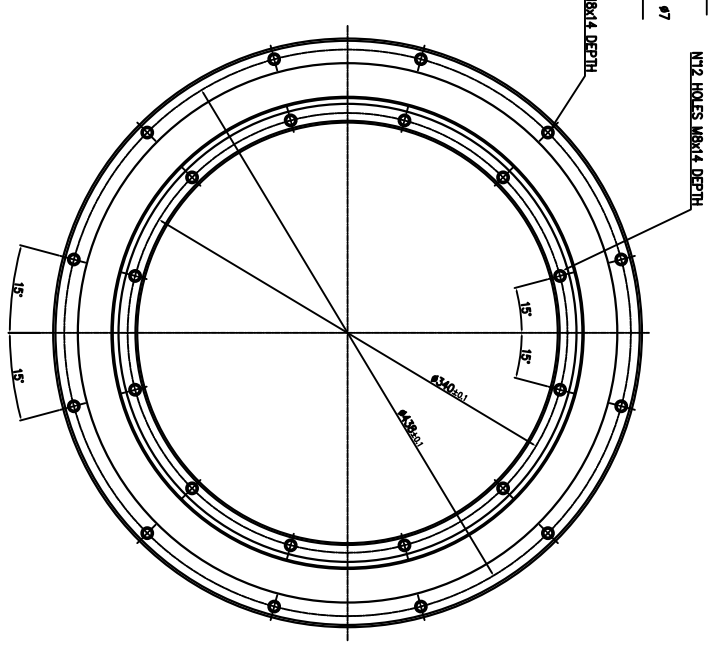
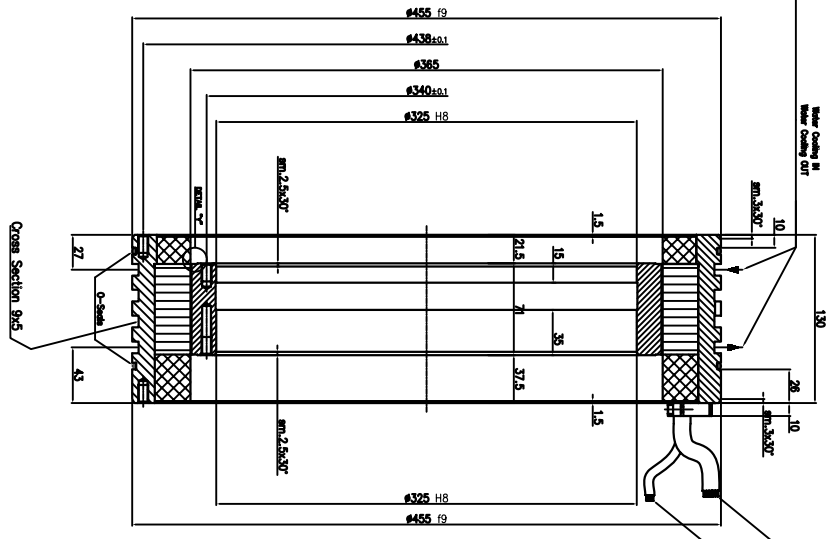
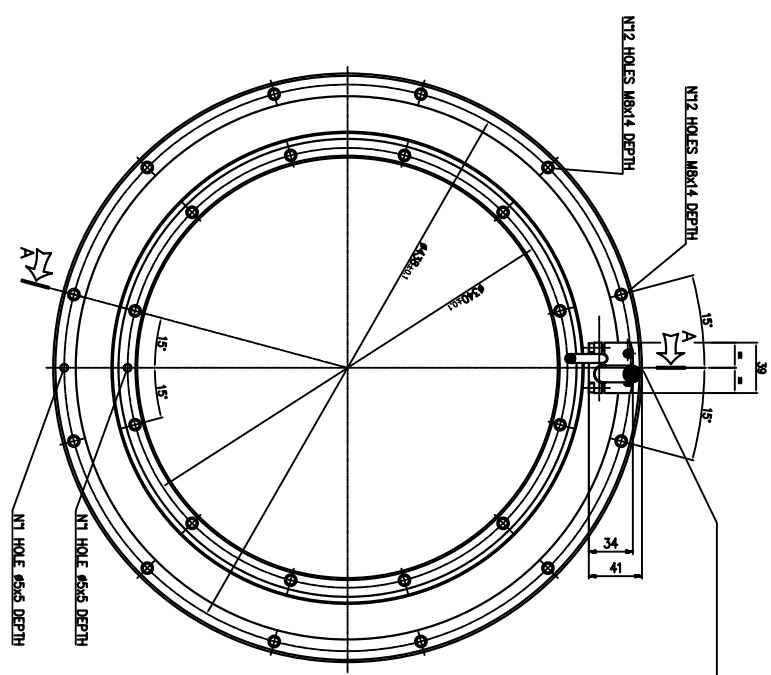


DETAIL "y"
ROTOR INTERFACE TO
CUSTOMER SHAFT



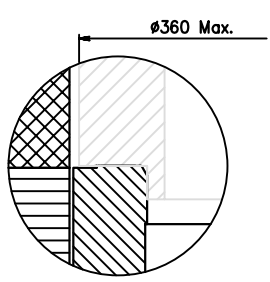
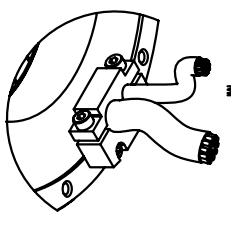
NO. MODEL	DESCRIZIONE	REVISIONE	DATA												
RAW MATERIAL															
RAW DIMENSIONS															
TREATMENT	DATE	SCALE													
TECHNAI	15/06/2009														
<table border="1"> <tr> <td>ASSISTENTE</td> <td>GENERAL ASSEMBLY</td> <td>DATA</td> </tr> <tr> <td>TECHNAI</td> <td></td> <td></td> </tr> <tr> <td>WORKING</td> <td>ROTOR-STATOR KIT MK-CI 420</td> <td>SHEET</td> </tr> <tr> <td>COD.</td> <td>MK-CI 420-070 MF</td> <td>1 of 1</td> </tr> </table>				ASSISTENTE	GENERAL ASSEMBLY	DATA	TECHNAI			WORKING	ROTOR-STATOR KIT MK-CI 420	SHEET	COD.	MK-CI 420-070 MF	1 of 1
ASSISTENTE	GENERAL ASSEMBLY	DATA													
TECHNAI															
WORKING	ROTOR-STATOR KIT MK-CI 420	SHEET													
COD.	MK-CI 420-070 MF	1 of 1													

SECTION "A-A"



To Drive with KTY 84 input (Ex. Simodrive 611D/U) or multimeter with the appropriate rating

TECHNAL DIRECT DRIVE MOTOR



DETAIL "Y-Y"
ROTOR INTERFACE TO CUSTOMER SHAFT

TECHNAL ROTOR-STATOR KIT MK-CI 420 MK-CI 420-070 MP		GENERAL ASSEMBLY	
SHEET 1 OF 1	CODE MK-CI 420-070 MP	DATE 2013-08-20	VERSION 1.0
Proprietà esclusiva di TECHNAL Termis s.r.l. - Riproduzione e diffusione vietata, senza autorizzazione scritta.			