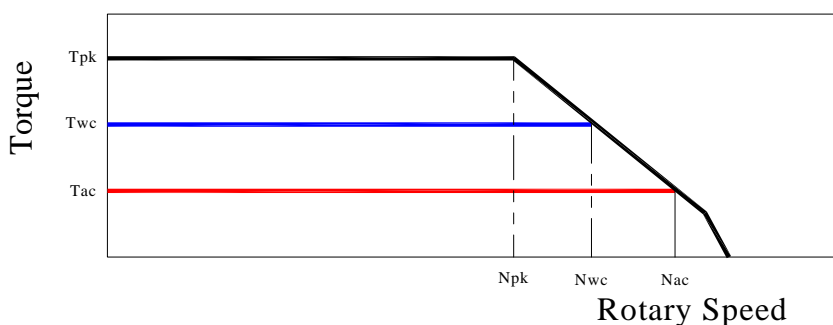
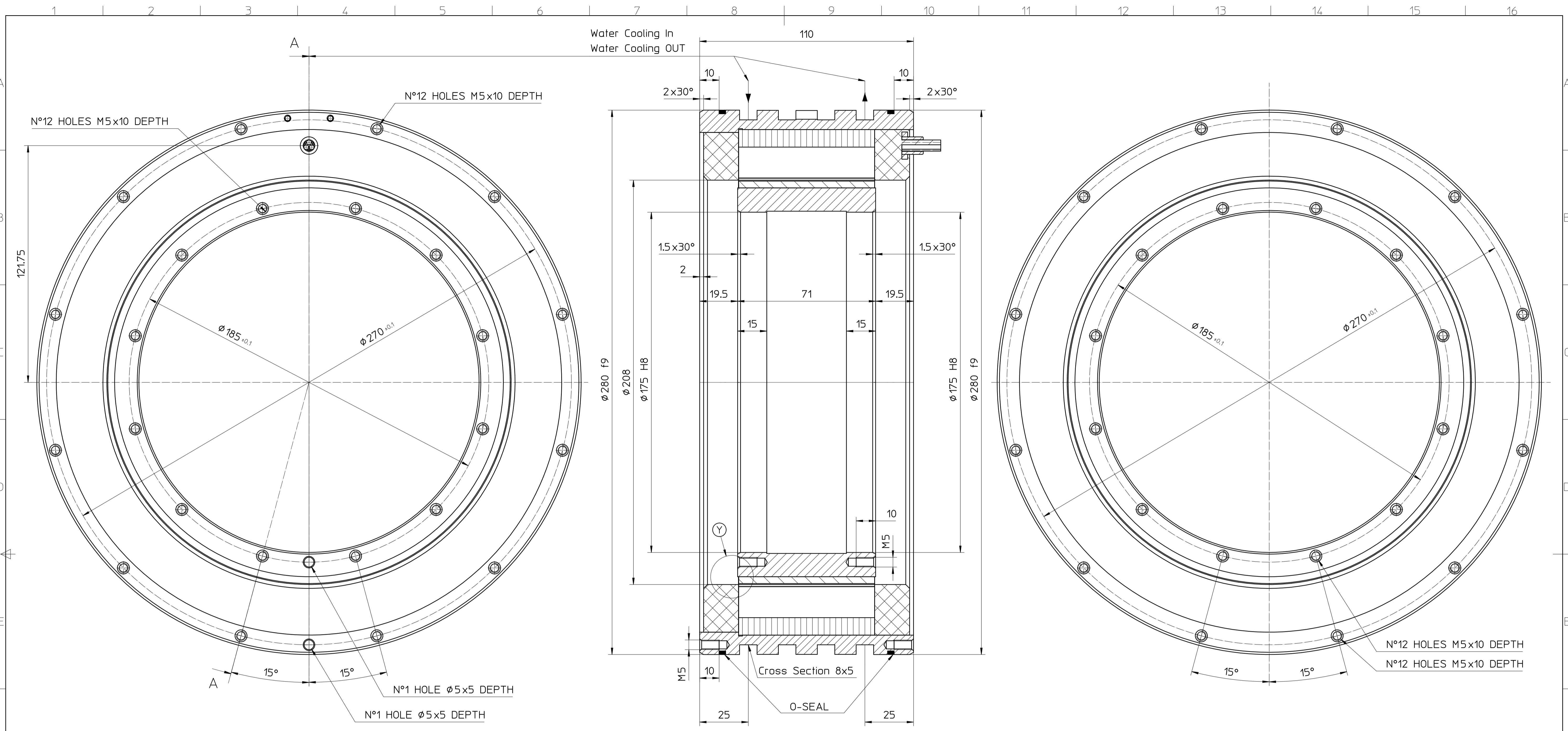


## TORQUE MOTOR - MK-CI 260-070 WA

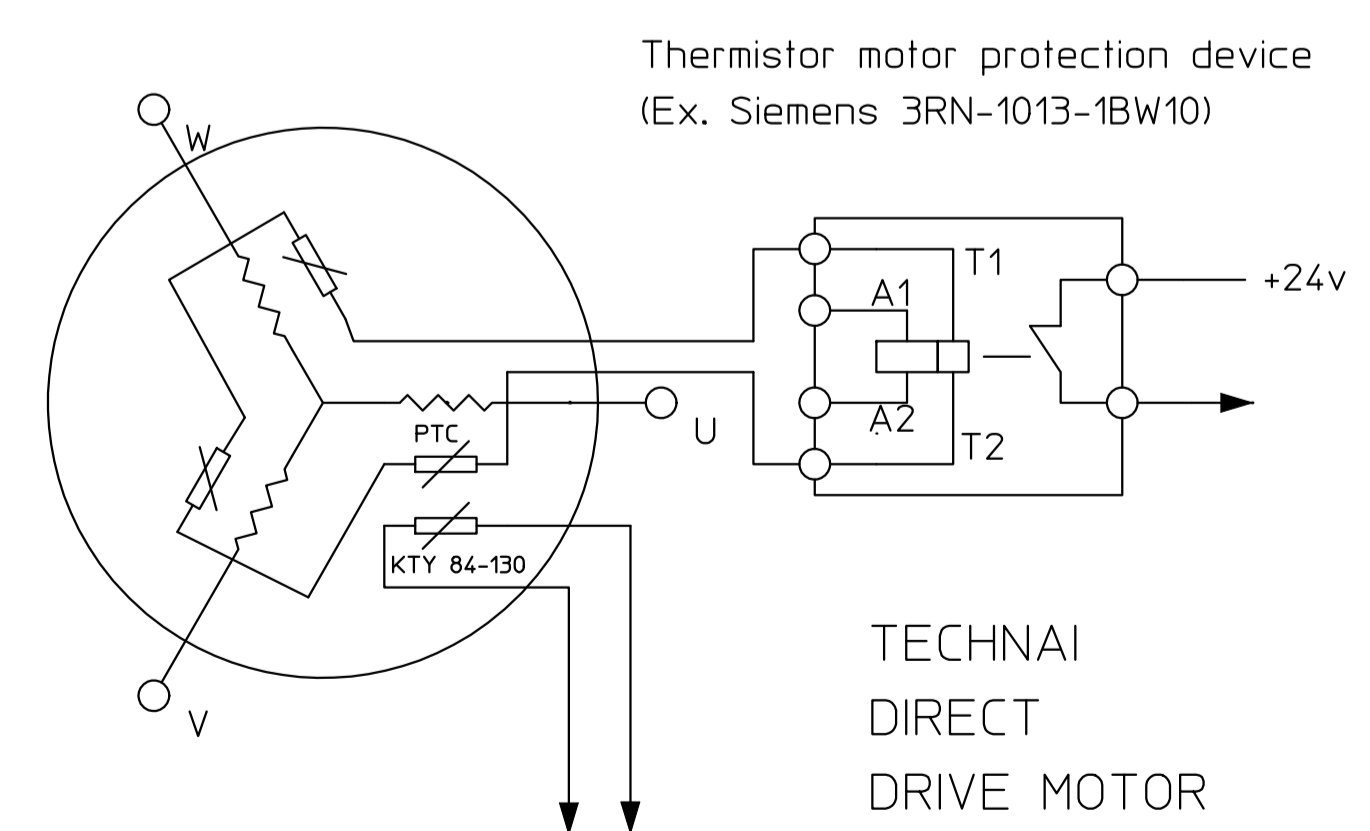
Motor specification	Symbol	Unit	
Number of pole	P		44
Peak Torque	Tpk	Nm	402
Continuos Torque (Water Cooling Dt100)	Twc	Nm	225
Continuos Torque (Air Cooling Dt100)	Tac	Nm	91
Stall Torque (Water Cooling)	Twsc	Nm	170
Stall Torque (Air Cooling)	Tsac	Nm	70
Ripple Torque (Cogging Torque)	Tr	Nm	1
Power Loss at Twc	Pwc	Kw	2,45
Power Loss at Tac	Pac	Kw	0,38
Termal Resistance Water Cooling	RthWc	Kw	0,039
Termal Resistance Air Cooling	RthAc	Kw	0,267
Torque Constant	Kt	Nm/a	14,6
Back EMF Constant	Ke	V/1000 Rpm	882
Maximum Speed at Ipk at 600 Vdc	Npk	rpm	105
Maximum Speed at Iwc at 600 Vdc	Nwc	rpm	300
Maximum Speed at Iac at 600 Vdc	Nac	rpm	400
Winding Resistance (Phase to Phase)	R20	$\Omega$	4,4
Winding Inductance (Phase to Phase)	L	mh	21,9
Peak Current	Ipk	Arms	39,6
Continuos Current (Water Cooling Dt100)	Iwc	Arms	15,9
Continuos Current (Air Cooling Dt100)	Iac	Arms	6,4
Stall Current at 0 Speed (Water Cooling)	Iswc	Arms	12,1
Stall Current at 0 Speed (Air Cooling)	Isac	Arms	4,8
Maximum Winding Temperature		$^{\circ}\text{C}$	130
Height of Rotor		mm	70
Height of Stator		mm	110
Stator jacket outer diameter		mm	280

### Torque diagram

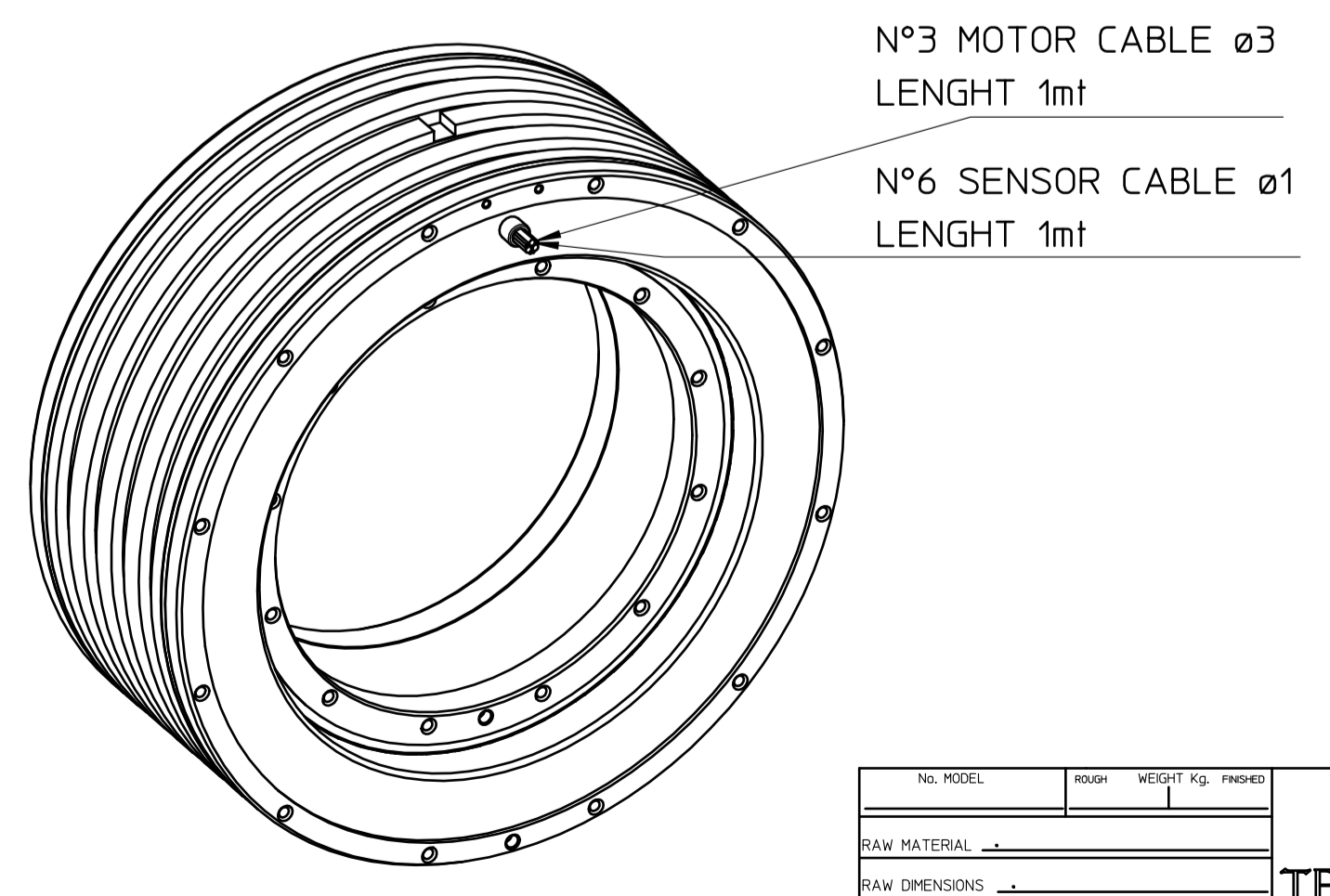
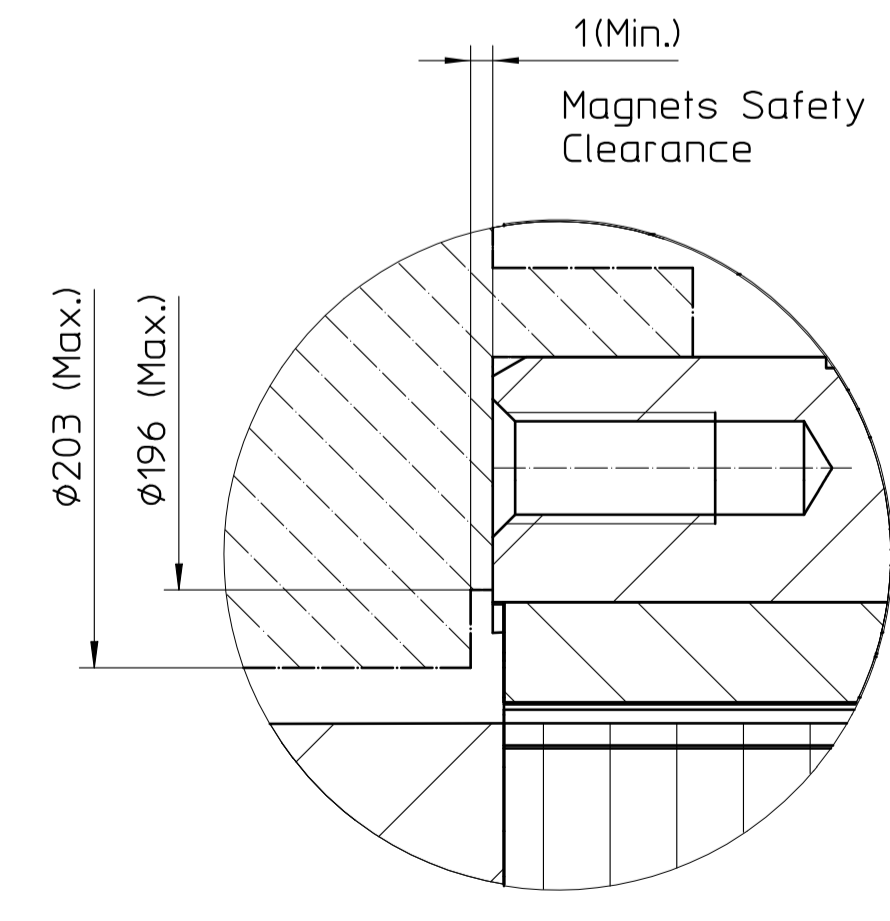
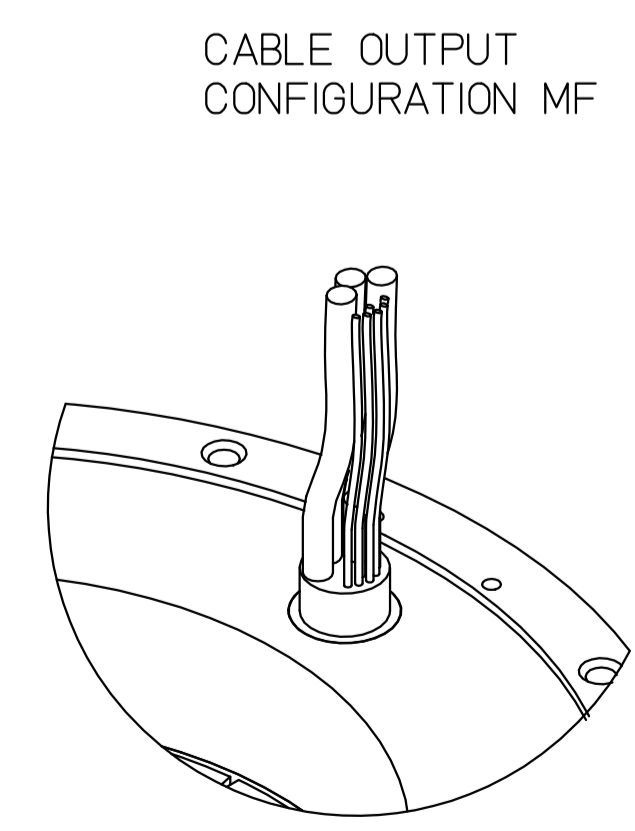




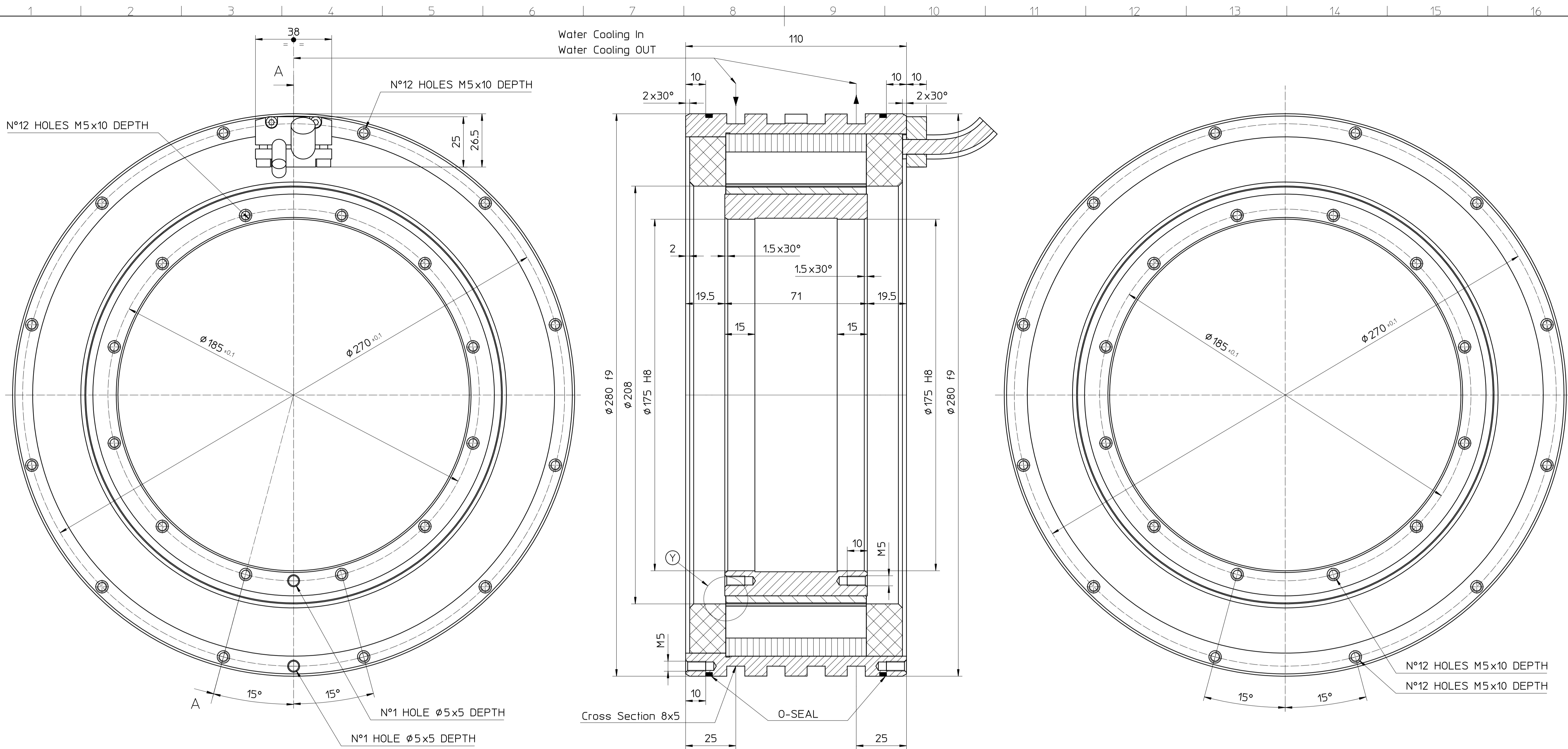
SECTION A-A



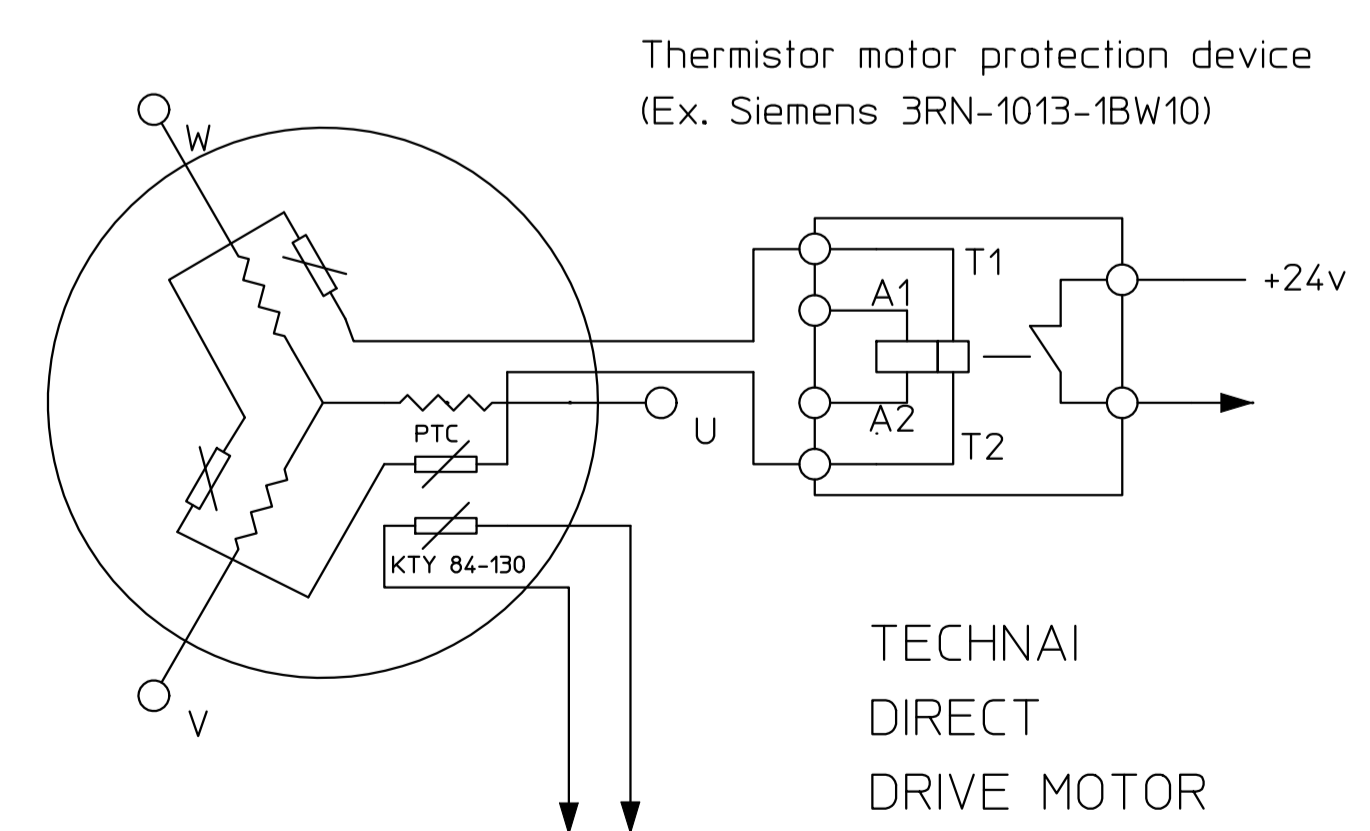
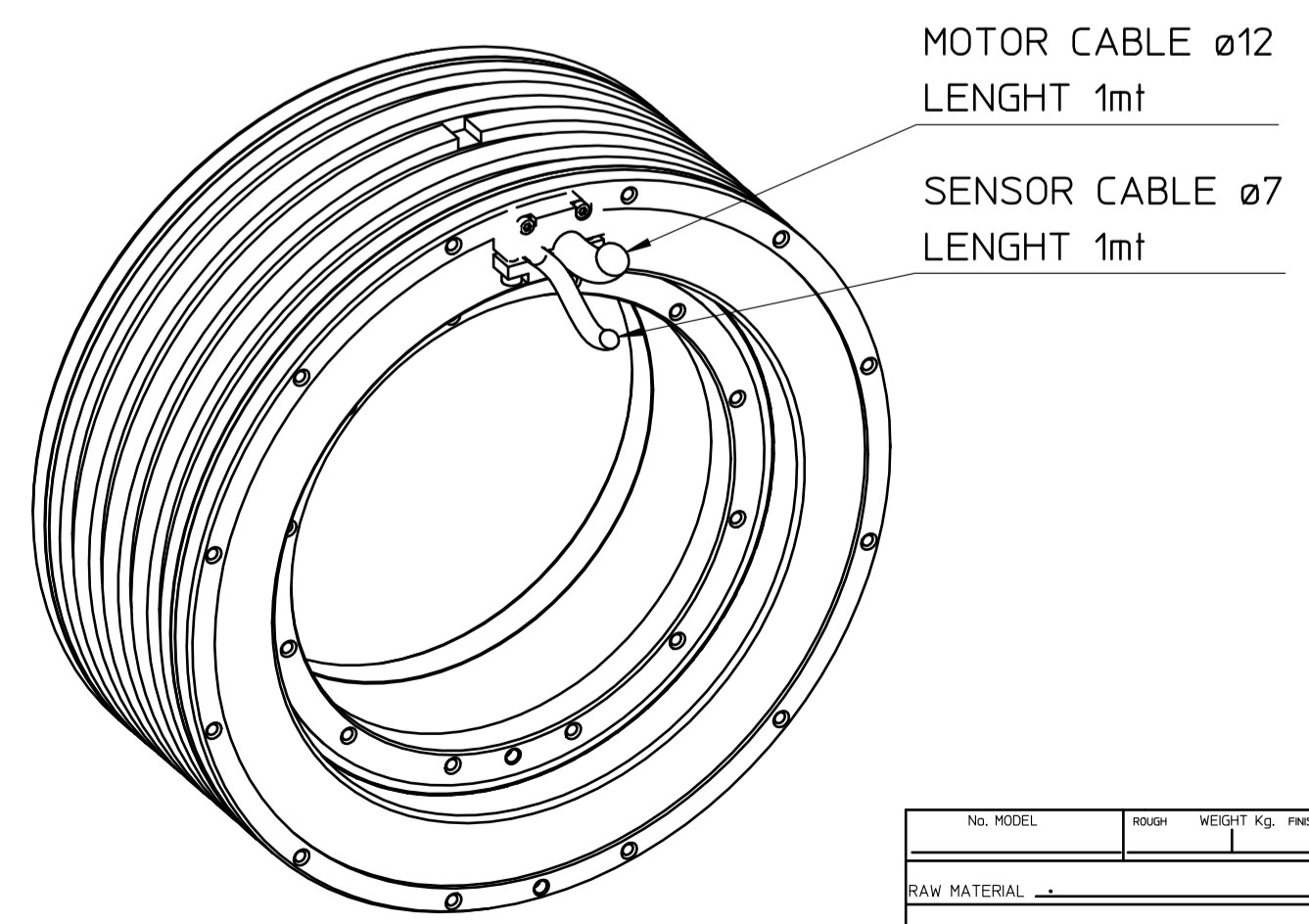
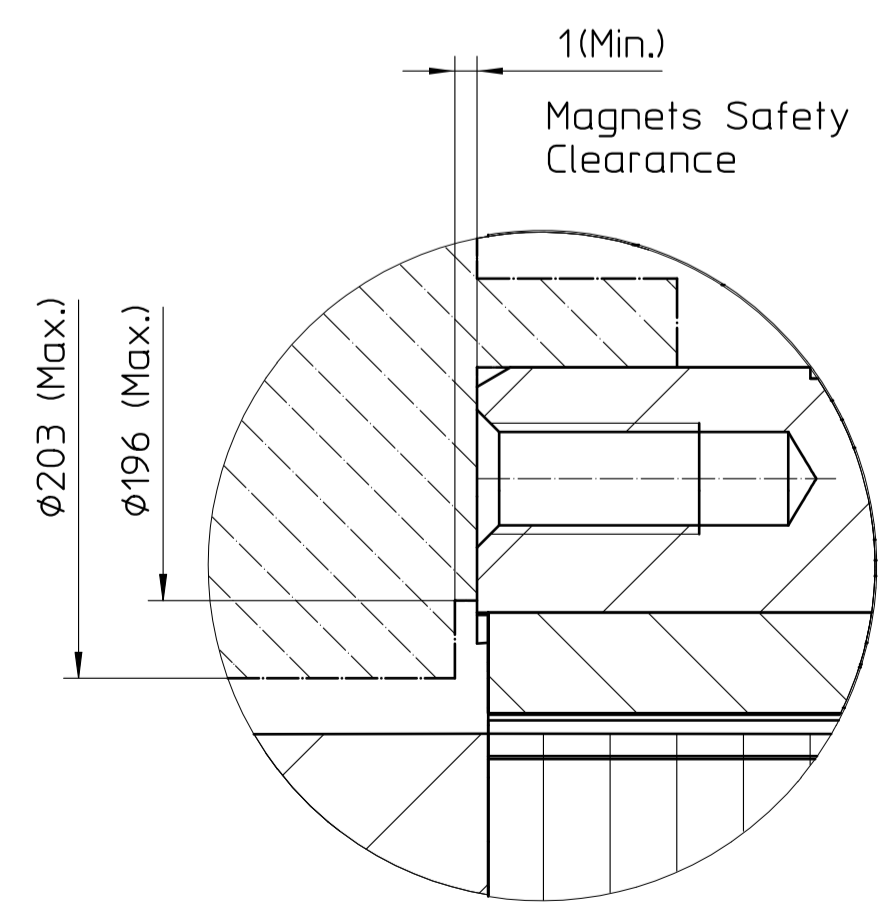
To Drive with KTY 84 input  
(Ex. Simodrive 611D/U) or multimeter  
with the appropriate rating



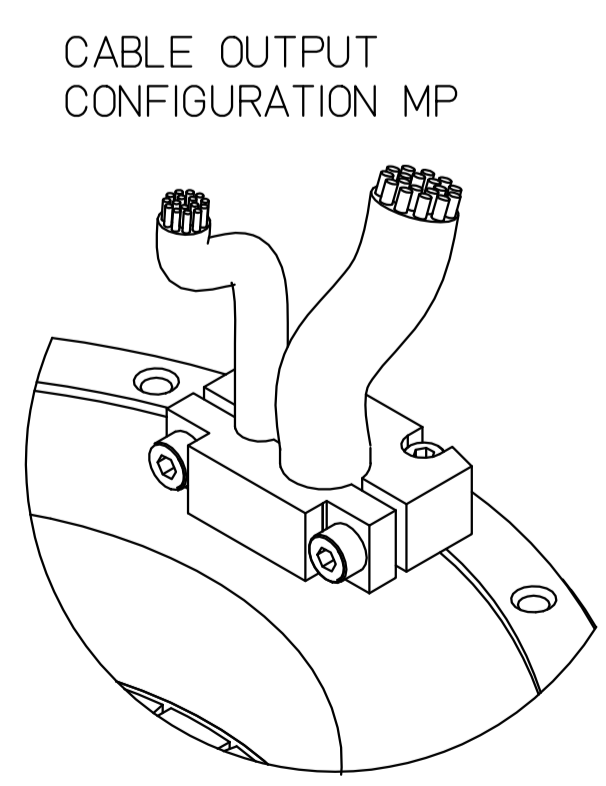
NO. MODEL	ROUGH	WEIGHT KG.	FINISHED	DESCRIPTION	GENERAL ASSEMBLY	QTY	X
RAW MATERIAL				ASSEMBLY			
RAW DIMENSIONS				MACHINE	ROTOR-STATOR KIT MK-CI 260		
TREATMENT				COD.	MK-CI 260-070 MF	SHEET No.	1 d. 1
DESIGNER	TECHNAI	DATE	13-07-15	SCALE	1:1		



SECTION A-A



To Drive with KTY 84 input  
(Ex. Simodrive 611D/U) or multimeter  
with the appropriate rating



NO. MODEL	ROUGH	WEIGHT KG.	FINISHED	DESCRIPTION	GENERAL ASSEMBLY	QTY	X
RAW MATERIAL				ASSEMBLY			
RAW DIMENSIONS				MACHINE	ROTOR-STATOR KIT MK-CI 260		
TREATMENT				COD.	MK-CI 260 070 MP		
DESIGNER	DATE	SCALE				SHEET No.	1 di 1
TECHNAI	14-07-15	1:1					