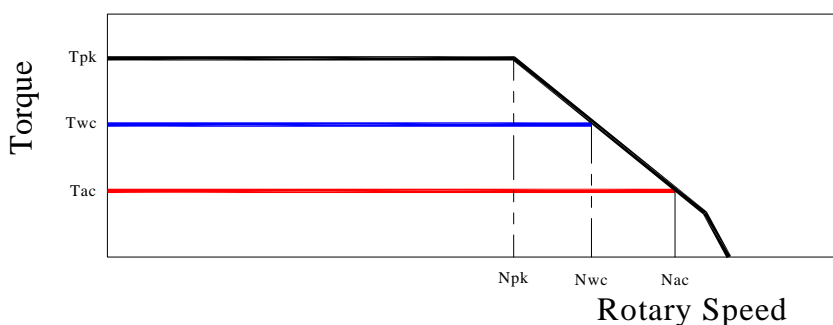
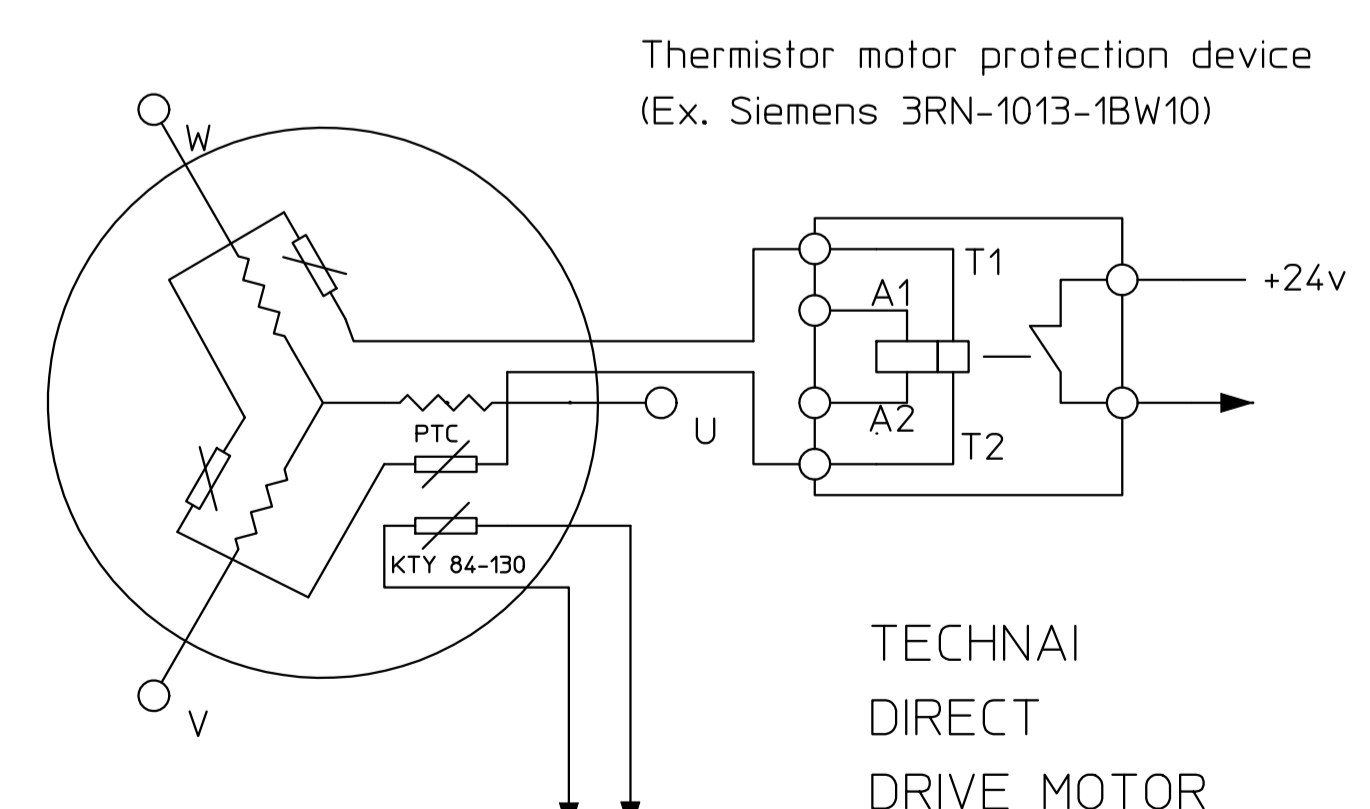
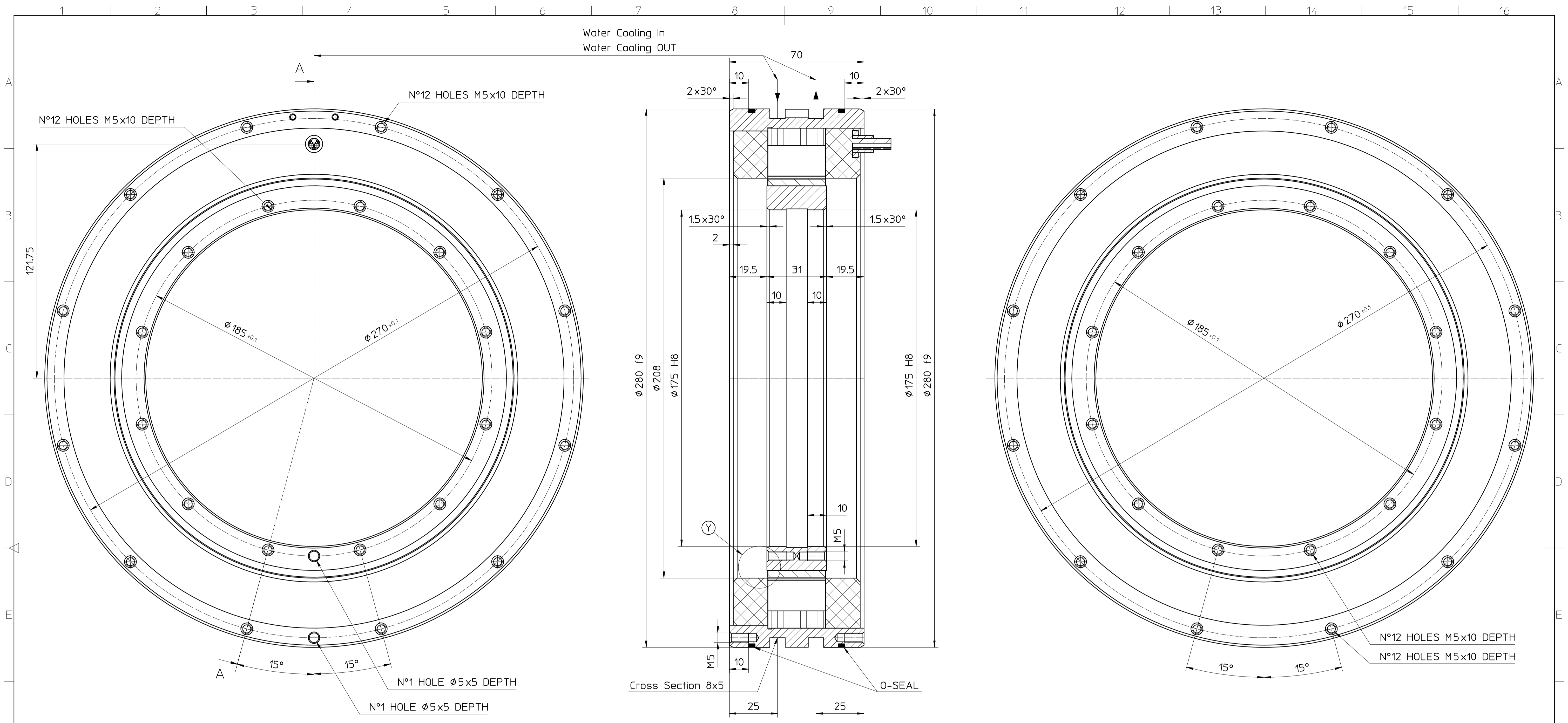


TORQUE MOTOR - MK-CI 260-030 WA

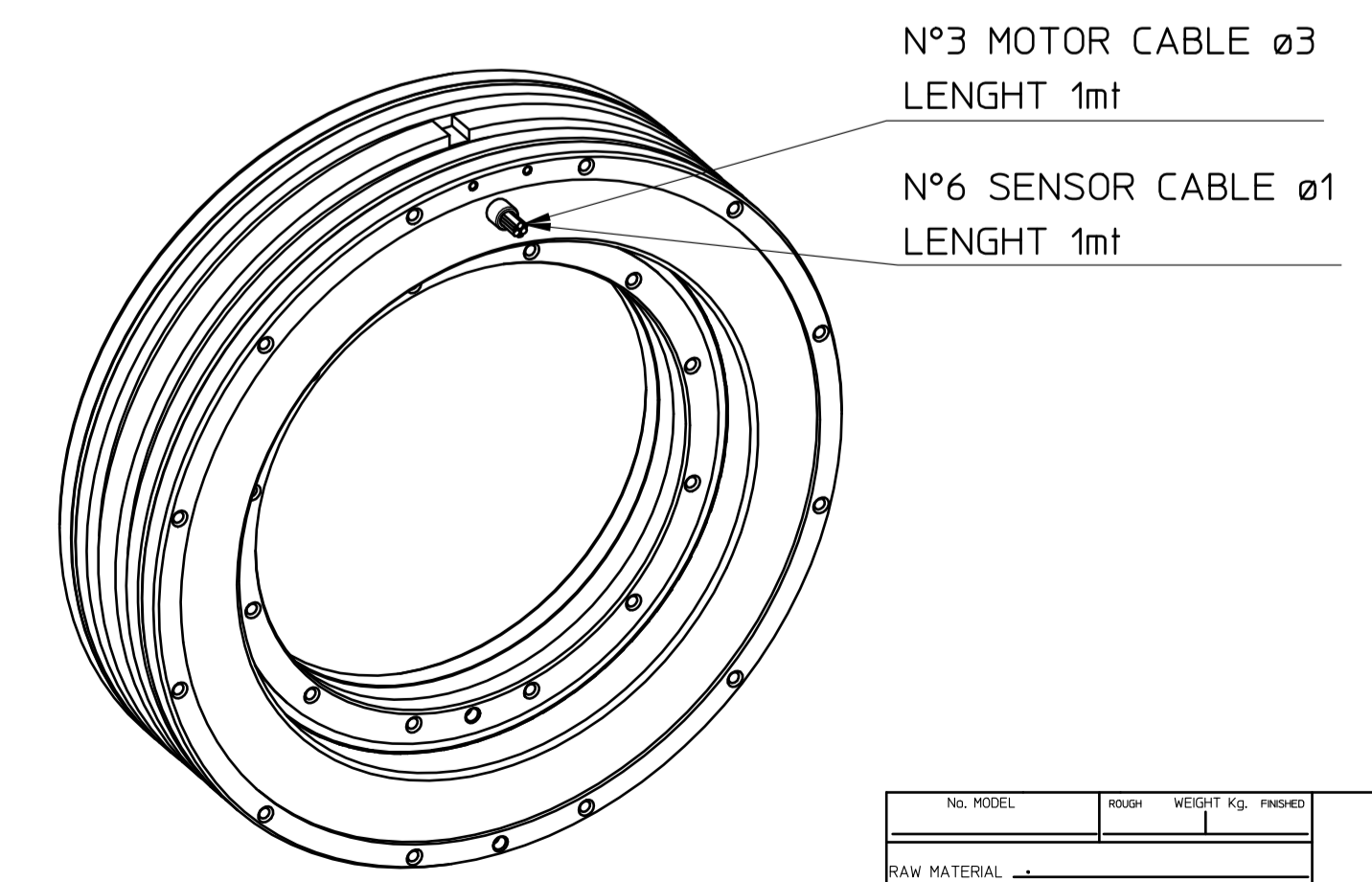
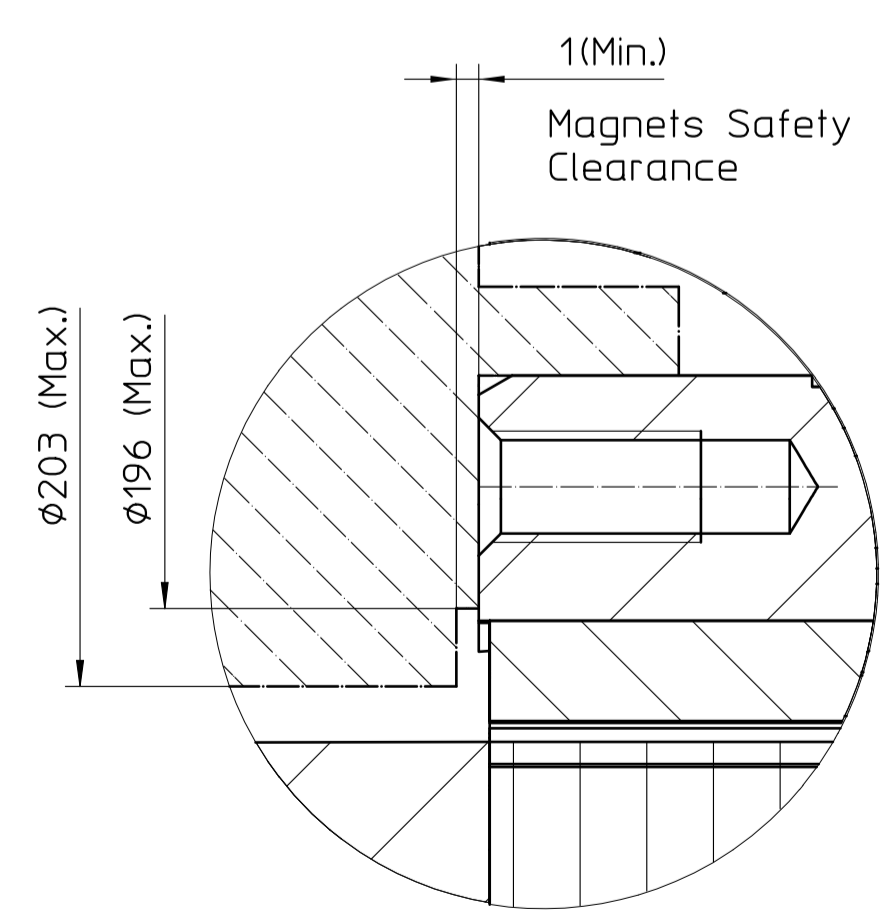
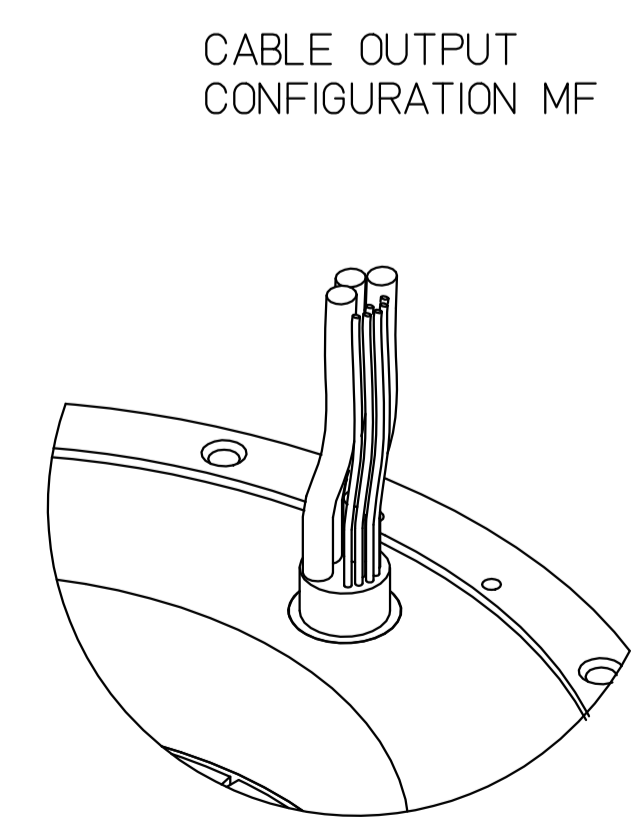
Motor specification	Symbol	Unit	
Number of pole	P		44
Peak Torque	T _{pk}	Nm	173
Continuos Torque (Water Cooling Dt100)	T _{wc}	Nm	97
Continuos Torque (Air Cooling Dt100)	T _{ac}	Nm	39
Stall Torque (Water Cooling)	T _{wsc}	Nm	73,7
Stall Torque (Air Cooling)	T _{sac}	Nm	29
Ripple Torque (Cogging Torque)	T _r	Nm	0,4
Power Loss at T _{wc}	P _{wc}	Kw	1,5
Power Loss at T _{ac}	P _{ac}	Kw	0,26
Termal Resistance Water Cooling	R _{thWc}	Kw	0,072
Termal Resistance Air Cooling	R _{thAc}	Kw	0,419
Torque Constant	K _t	Nm/a	11,7
Back EMF Constant	K _e	V/1000 Rpm	708
Maximum Speed at I _{pk} at 600 Vdc	N _{pk}	rpm	140
Maximum Speed at I _{wc} at 600 Vdc	N _{wc}	rpm	340
Maximum Speed at I _{ac} at 600 Vdc	N _{ac}	rpm	480
Winding Resistance (Phase to Phase)	R ₂₀	Ω	9,8
Winding Inductance (Phase to Phase)	L	mh	35,5
Peak Current	I _{pk}	Arms	21,5
Continuos Current (Water Cooling Dt100)	I _{wc}	Arms	8,5
Continuos Current (Air Cooling Dt100)	I _{ac}	Arms	3,55
Stall Current at 0 Speed (Water Cooling)	I _{wsc}	Arms	6,5
Stall Current at 0 Speed (Air Cooling)	I _{sac}	Arms	2,7
Maximum Winding Temperature		°C	130
Height of Rotor		mm	30
Height of Stator		mm	70
Stator jacket outer diameter		mm	280

Torque diagram

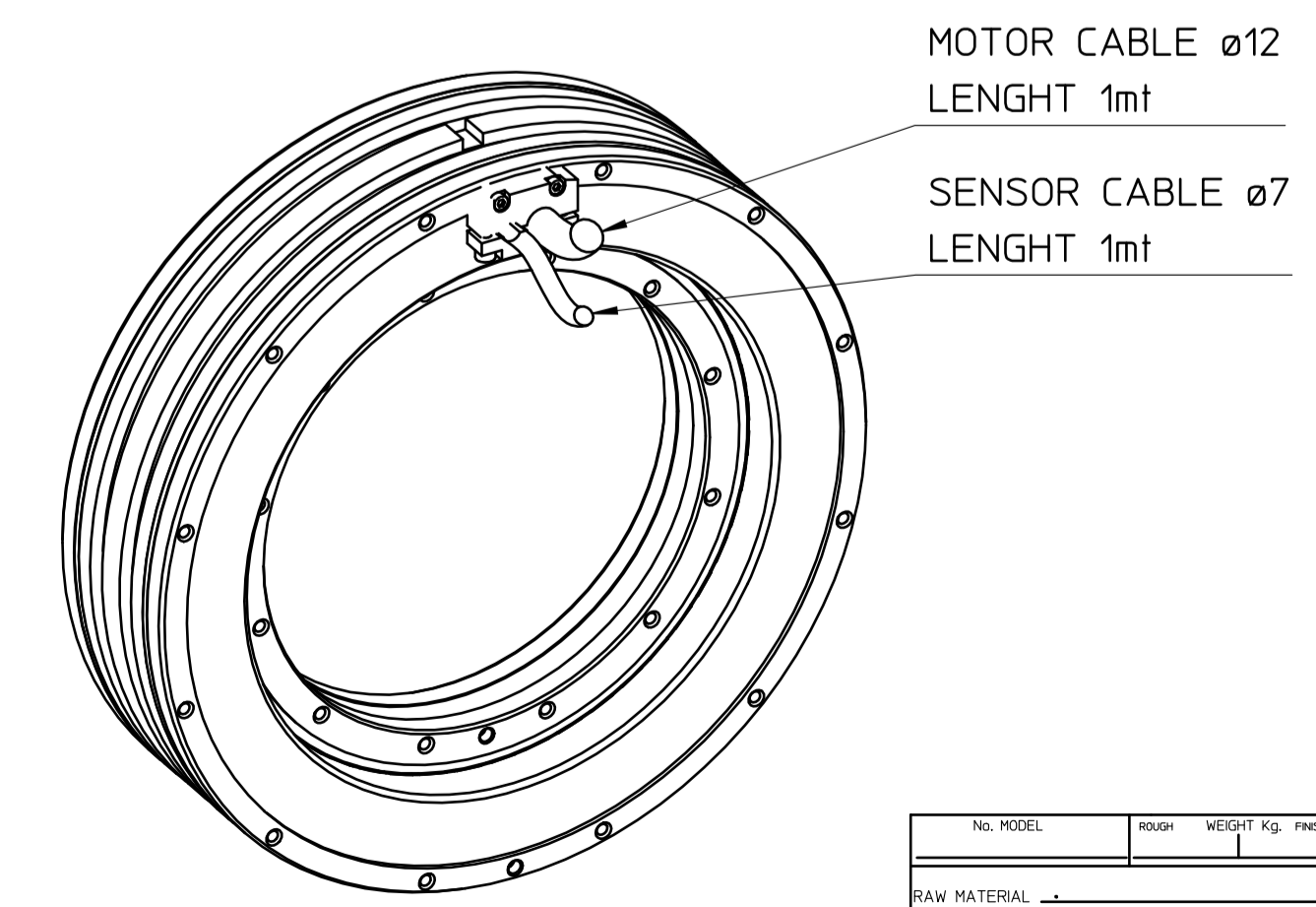
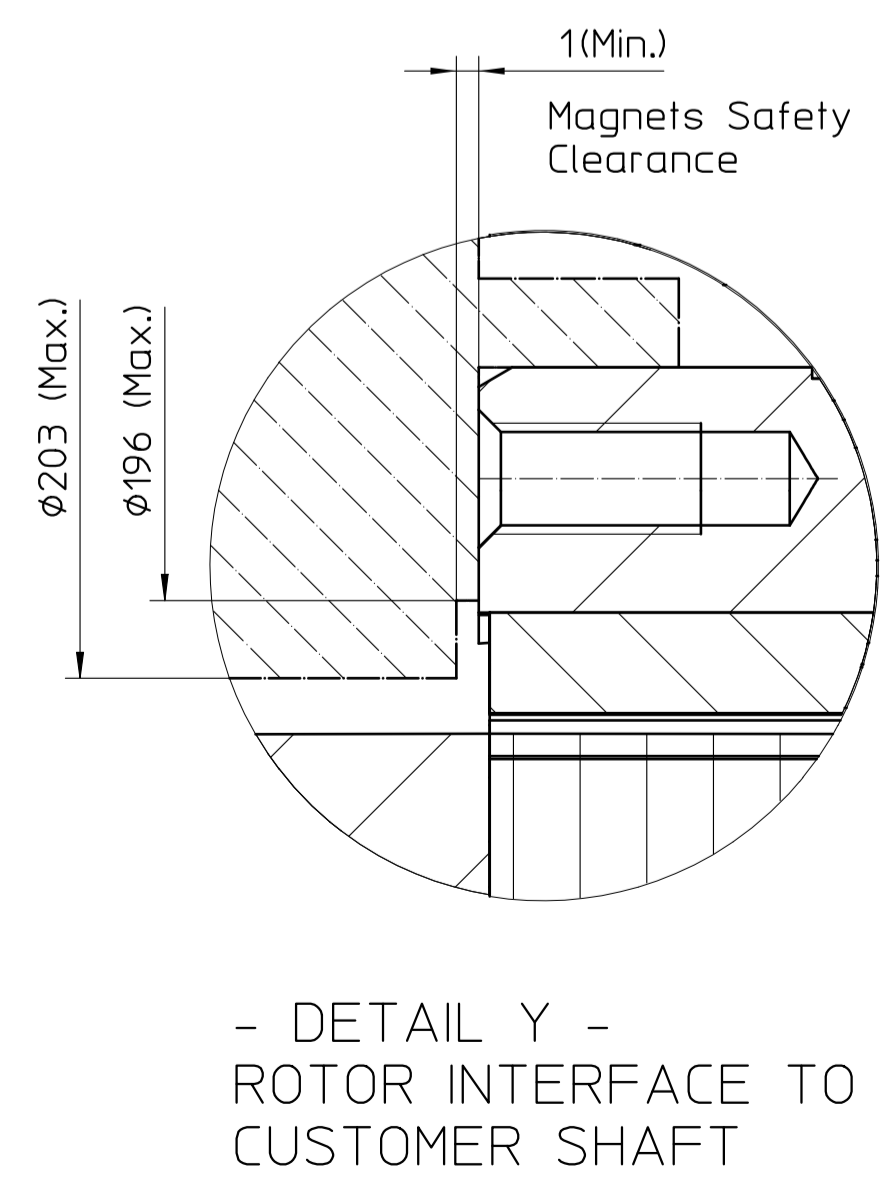
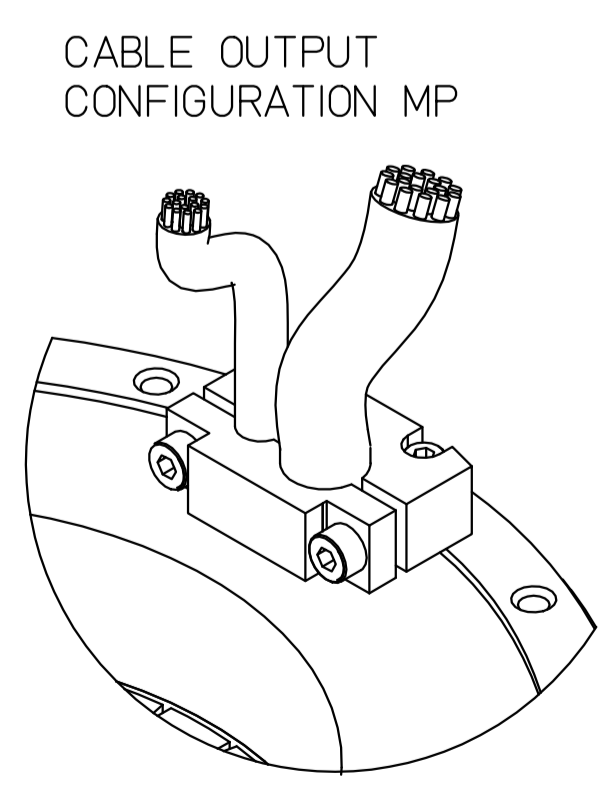
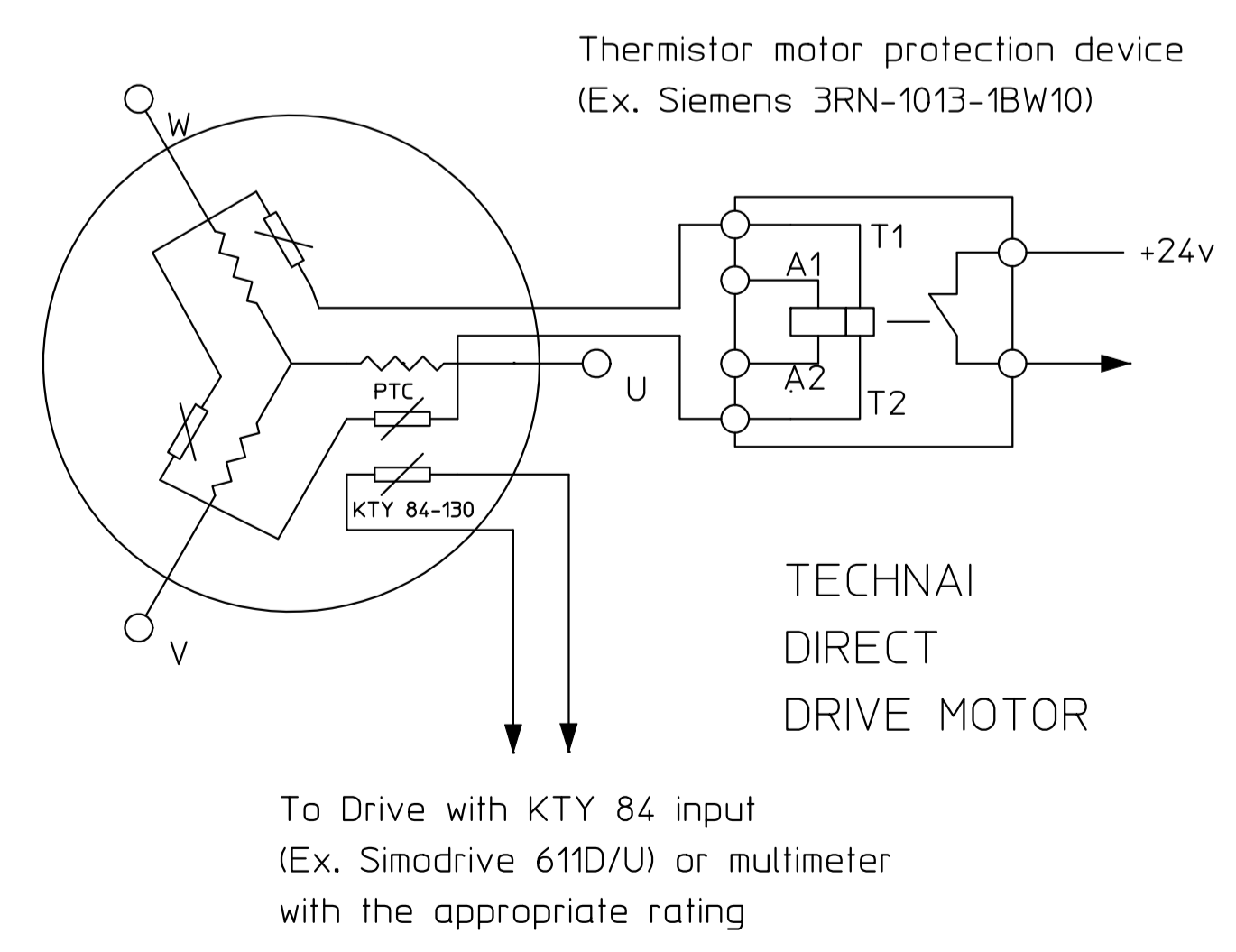
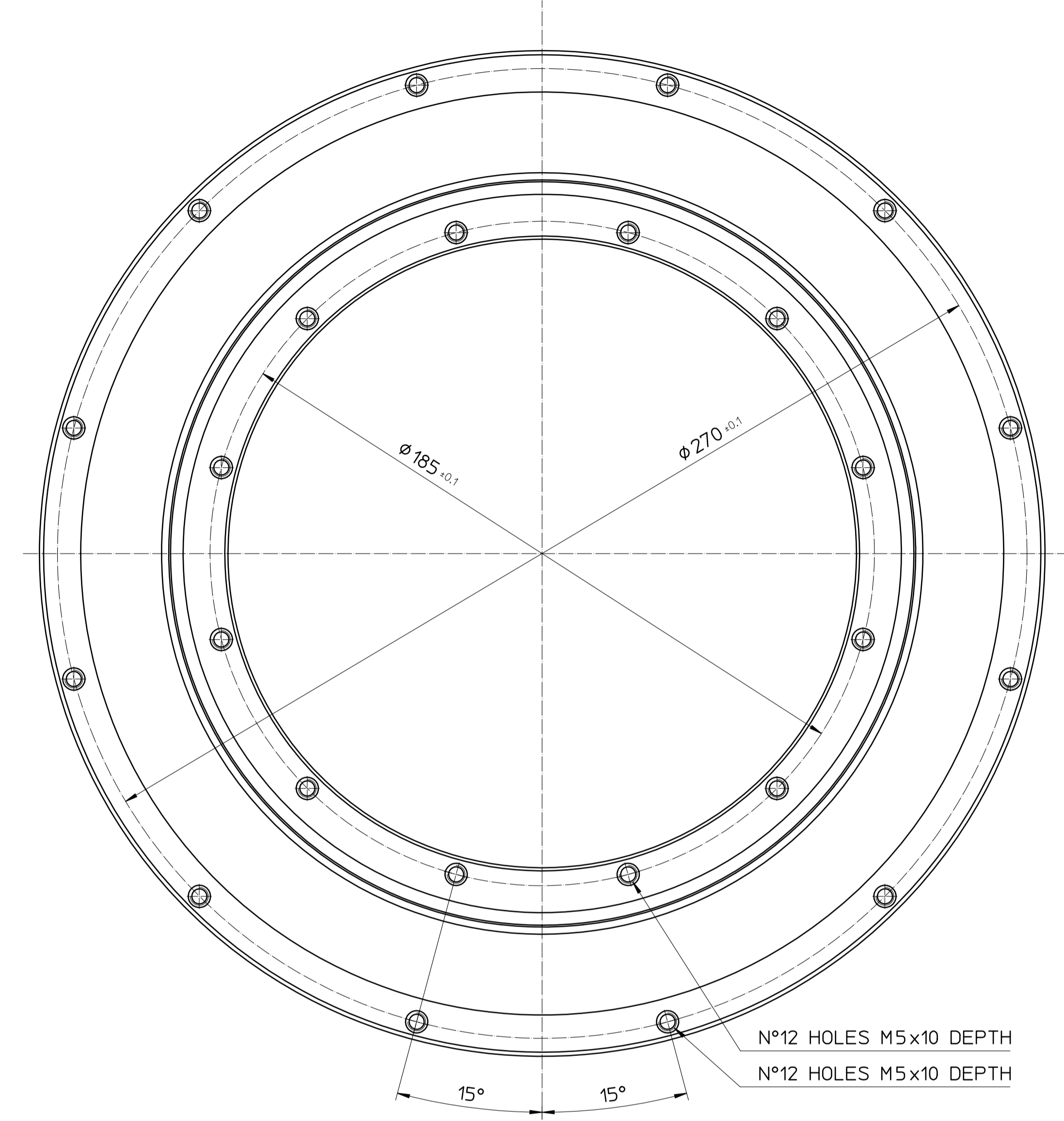
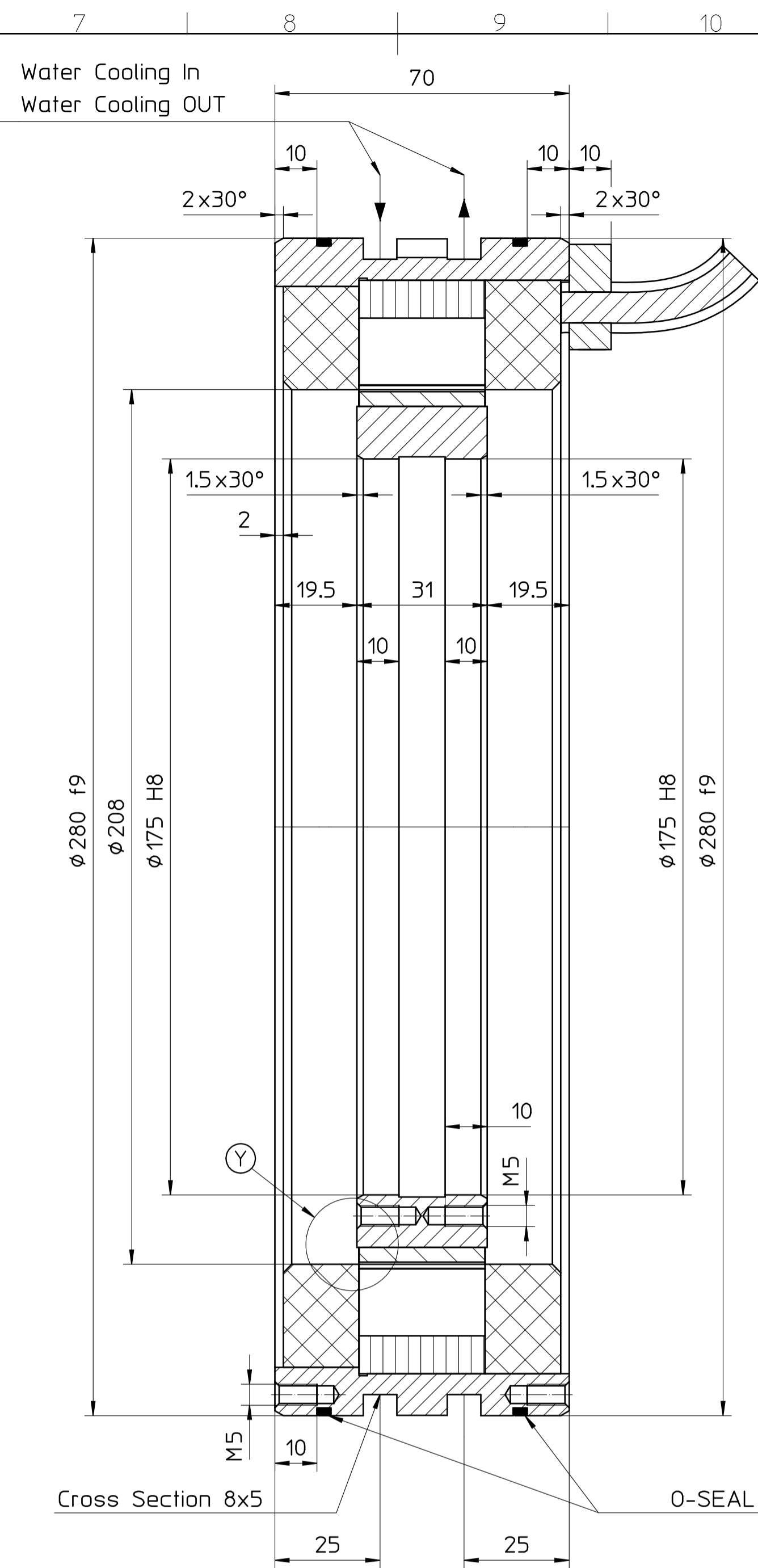
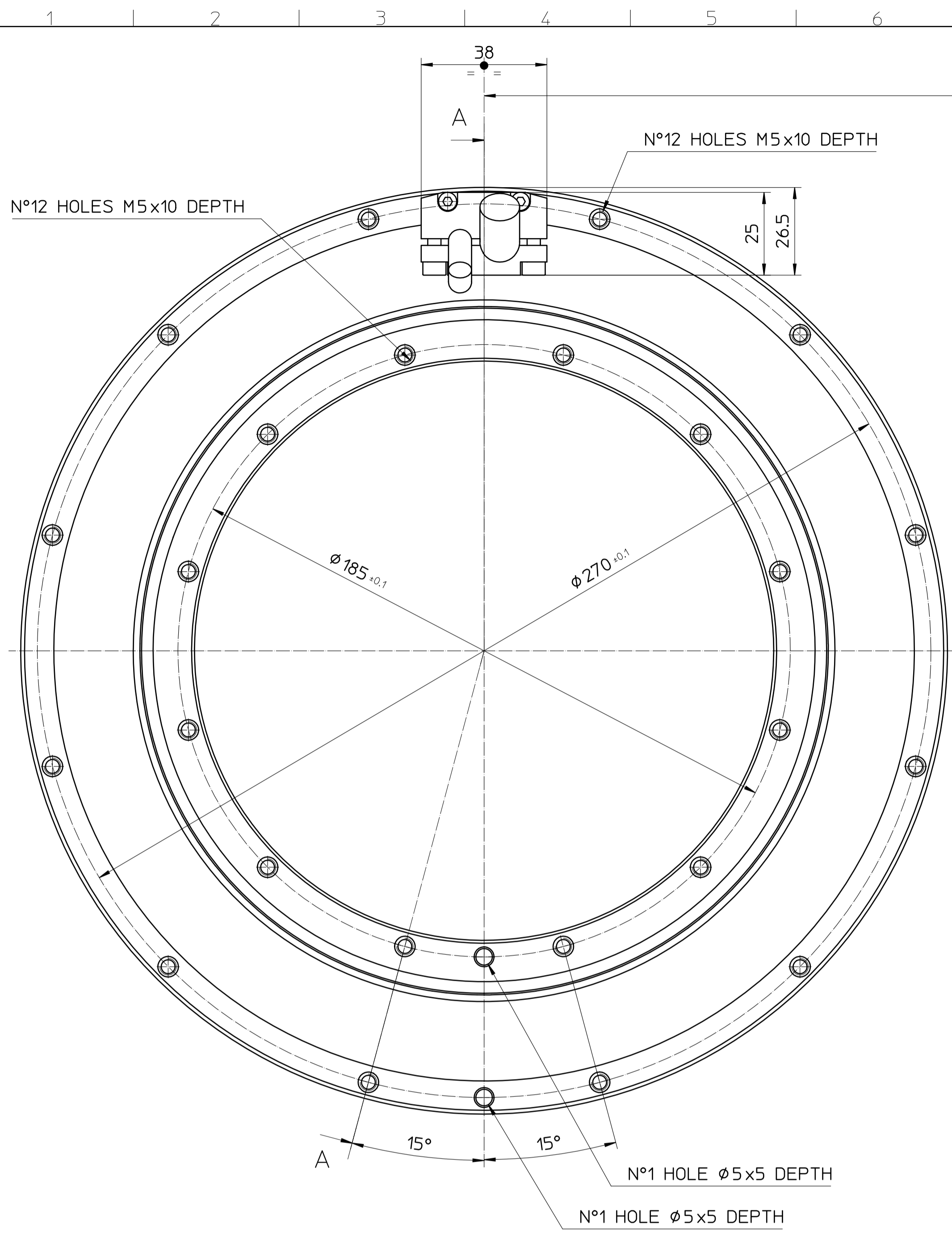




To Drive with KTY 84 input
(Ex. Simodrive 611D/U) or multimeter
with the appropriate rating



NO. MODEL	ROUGH	WEIGHT KG.	FINISHED	DESCRIPTION	GENERAL ASSEMBLY	QTY	X
RAW MATERIAL				ASSEMBLY			
RAW DIMENSIONS				MACHINE	ROTOR-STATOR KIT MK-CI 260		
TREATMENT				COD.	MK-CI 260 030 MF	SHEET No.	1 di 1
DESIGNER	DATE	SCALE					
TECHNAI	13-07-15	1:1					



NO. MODEL	ROUGH	WEIGHT KG.	FINISHED	DESCRIPTION	GENERAL ASSEMBLY	QTY	X
RAW MATERIAL				ASSEMBLY			
RAW DIMENSIONS				MACHINE	ROTOR-STATOR KIT MK-CI 260		
TREATMENT				COD.	MK-CI 260 030 MP		
DESIGNER	DATE	SCALE				SHEET No.	1 d 1
TECHNAI	14-07-15	1:1					