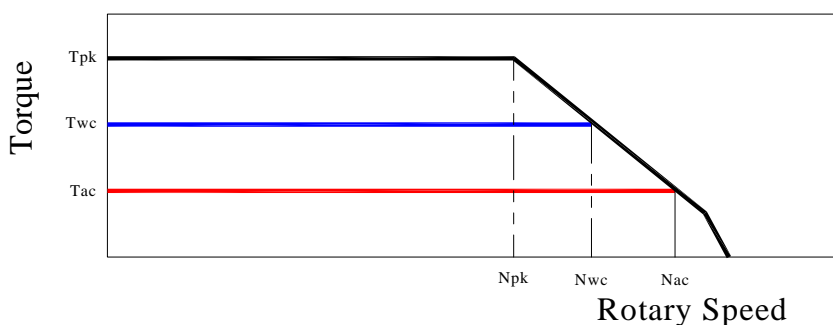


## TORQUE MOTOR - MK-CI 210-100 WA

Motor specification	Symbol	Unit	
Number of pole	P		44
Peak Torque	T <sub>pk</sub>	Nm	442
Continuos Torque (Water Cooling Dt100)	T <sub>wc</sub>	Nm	241
Continuos Torque (Air Cooling Dt100)	T <sub>ac</sub>	Nm	85
Stall Torque (Water Cooling)	T <sub>wsc</sub>	Nm	183
Stall Torque (Air Cooling)	T <sub>sac</sub>	Nm	65
Ripple Torque (Cogging Torque)	Tr	Nm	1,4
Power Loss at T <sub>wc</sub>	P <sub>wc</sub>	Kw	3,4
Power Loss at T <sub>ac</sub>	P <sub>ac</sub>	Kw	0,45
Termal Resistance Water Cooling	R <sub>thWc</sub>	Kw	0,03
Termal Resistance Air Cooling	R <sub>thAc</sub>	Kw	0,24
Torque Constant	K <sub>t</sub>	Nm/a	11,33
Back EMF Constant	K <sub>e</sub>	V/1000 Rpm	695
Maximum Speed at I <sub>pk</sub> at 600 Vdc	N <sub>pk</sub>	rpm	165
Maximum Speed at I <sub>wc</sub> at 600 Vdc	N <sub>wc</sub>	rpm	420
Maximum Speed at I <sub>ac</sub> at 600 Vdc	N <sub>ac</sub>	rpm	560
Winding Resistance (Phase to Phase)	R <sub>20</sub>	Ω	3,6
Winding Inductance (Phase to Phase)	L	mh	12,12
Peak Current	I <sub>pk</sub>	Arms	56
Continuos Current (Water Cooling Dt100)	I <sub>wc</sub>	Arms	21,4
Continuos Current (Air Cooling Dt100)	I <sub>ac</sub>	Arms	7,6
Stall Current at 0 Speed (Water Cooling)	I <sub>wsc</sub>	Arms	16,3
Stall Current at 0 Speed (Air Cooling)	I <sub>sac</sub>	Arms	5,8
Maximum Winding Temperature		°C	130
Height of Rotor		mm	100
Height of Stator		mm	140
Stator jacket outer diameter		mm	230

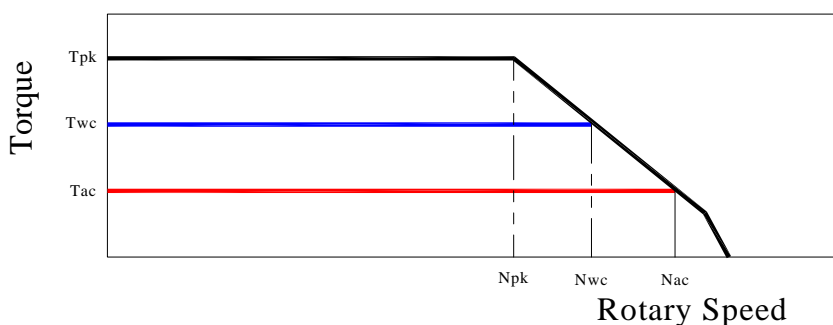
### Torque diagram

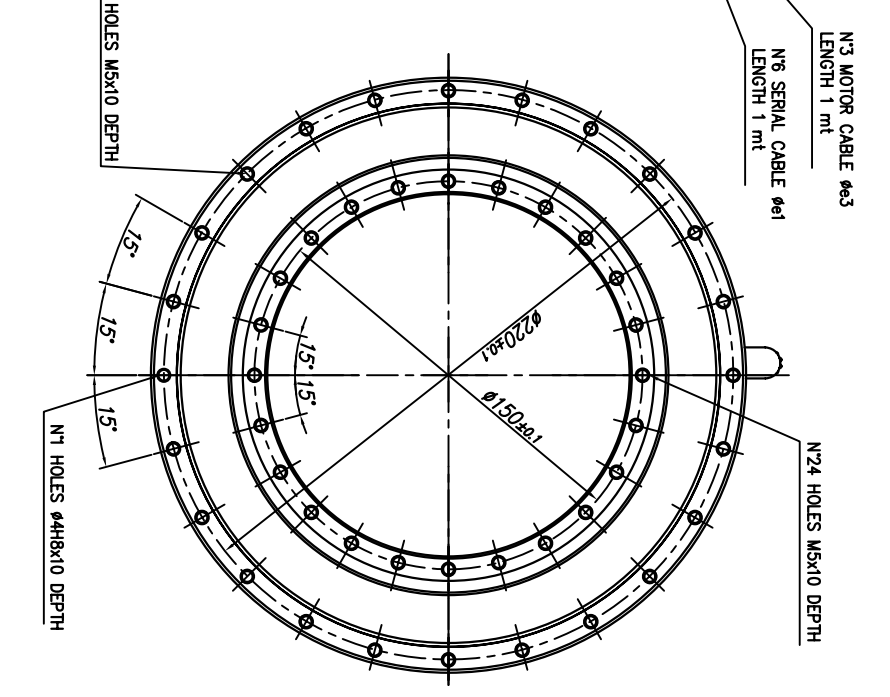
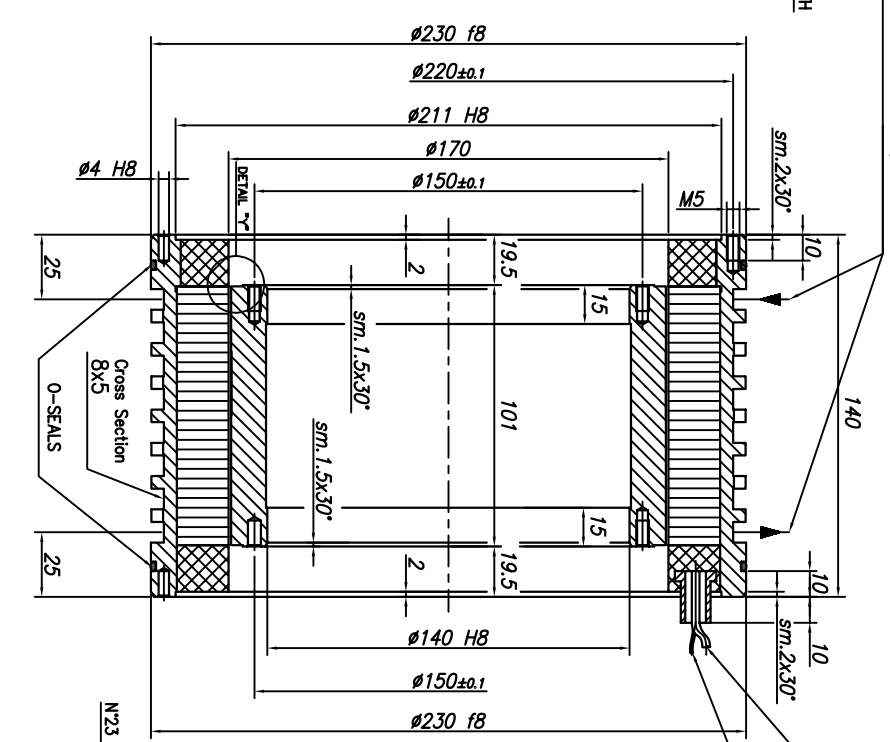
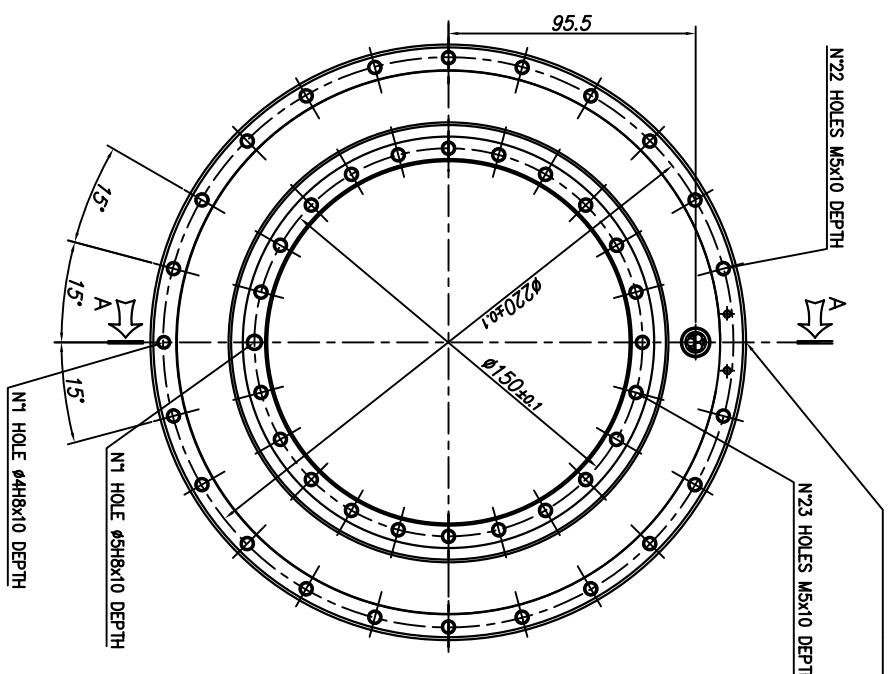


## TORQUE MOTOR - MK-CI 210-100 WB

Motor specification	Symbol	Unit	
Number of pole	P		44
Peak Torque	T <sub>pk</sub>	Nm	447
Continuos Torque (Water Cooling Dt100)	T <sub>wc</sub>	Nm	240
Continuos Torque (Air Cooling Dt100)	T <sub>ac</sub>	Nm	87
Stall Torque (Water Cooling)	T <sub>wsc</sub>	Nm	183
Stall Torque (Air Cooling)	T <sub>sac</sub>	Nm	66
Ripple Torque (Cogging Torque)	Tr	Nm	1,3
Power Loss at T <sub>wc</sub>	P <sub>wc</sub>	Kw	3,4
Power Loss at T <sub>ac</sub>	P <sub>ac</sub>	Kw	0,45
Termal Resistance Water Cooling	R <sub>thWc</sub>	Kw	0,03
Termal Resistance Air Cooling	R <sub>thAc</sub>	Kw	0,24
Torque Constant	K <sub>t</sub>	Nm/a	8,5
Back EMF Constant	K <sub>e</sub>	V/1000 Rpm	521
Maximum Speed at I <sub>pk</sub> at 600 Vdc	N <sub>pk</sub>	rpm	260
Maximum Speed at I <sub>wc</sub> at 600 Vdc	N <sub>wc</sub>	rpm	560
Maximum Speed at I <sub>ac</sub> at 600 Vdc	N <sub>ac</sub>	rpm	760
Winding Resistance (Phase to Phase)	R <sub>20</sub>	Ω	2,03
Winding Inductance (Phase to Phase)	L	mh	6,82
Peak Current	I <sub>pk</sub>	Arms	75,5
Continuos Current (Water Cooling Dt100)	I <sub>wc</sub>	Arms	28,3
Continuos Current (Air Cooling Dt100)	I <sub>ac</sub>	Arms	10,3
Stall Current at 0 Speed (Water Cooling)	I <sub>wsc</sub>	Arms	21,6
Stall Current at 0 Speed (Air Cooling)	I <sub>sac</sub>	Arms	7,9
Maximum Winding Temperature		°C	130
Height of Rotor		mm	100
Height of Stator		mm	140
Stator jacket outer diameter		mm	230

### Torque diagram



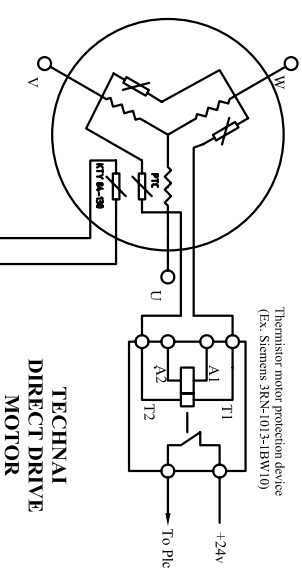


Water Cooling IN  
Water Cooling OUT

SECTION "A-A"

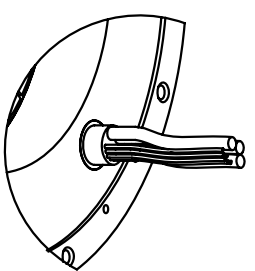
N°3 MOTOR CABLE  $\phi 6.3$   
LENGTH 1 mt

N°6 SERIAL CABLE  $\phi 6.1$   
LENGTH 1 mt

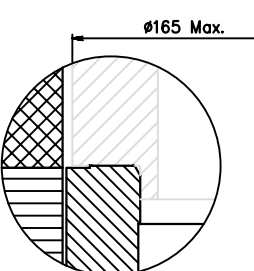


TECHNAI  
DIRECT DRIVE  
MOTOR

CABLE OUTPUT  
CONFIGURATION  
MF

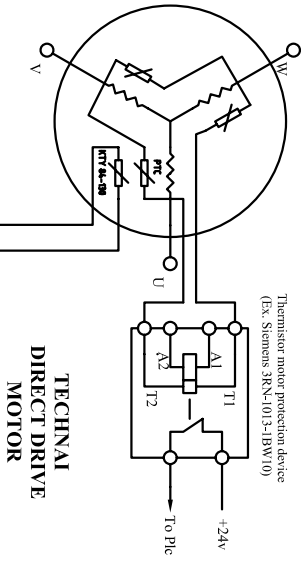
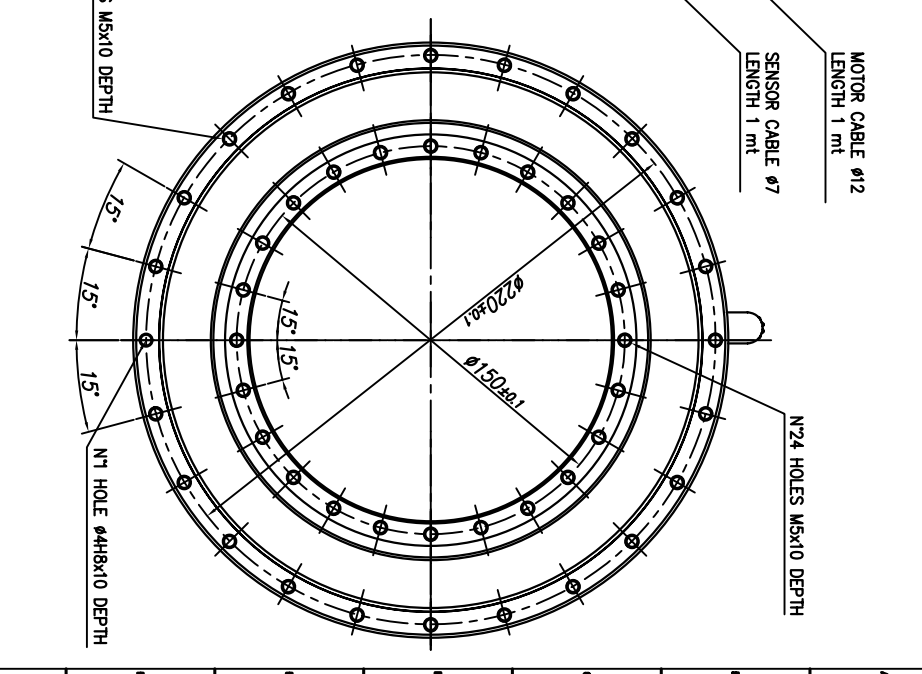
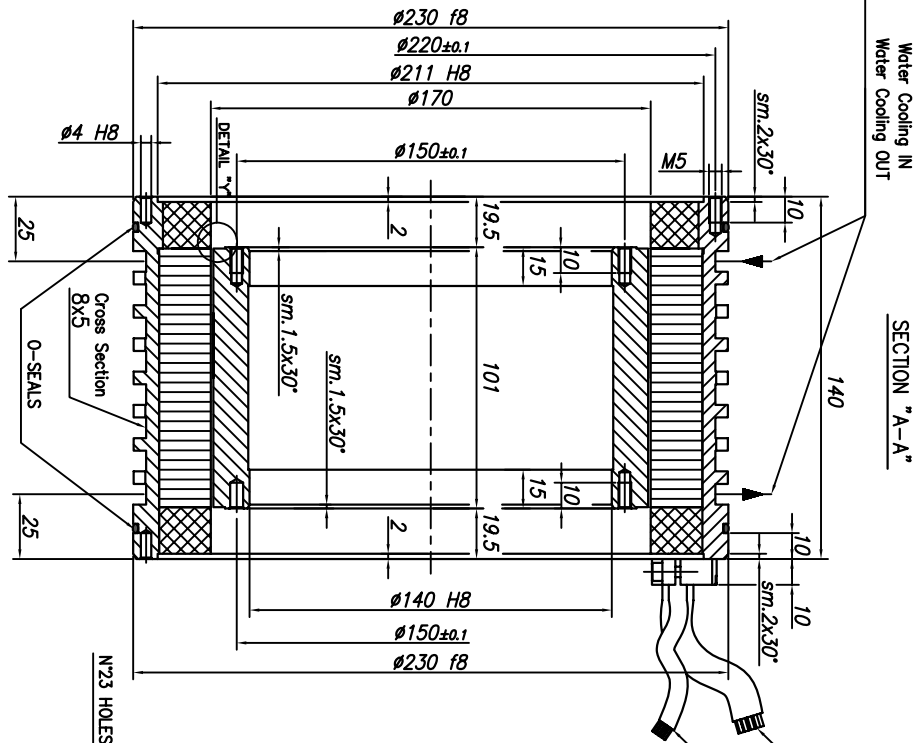
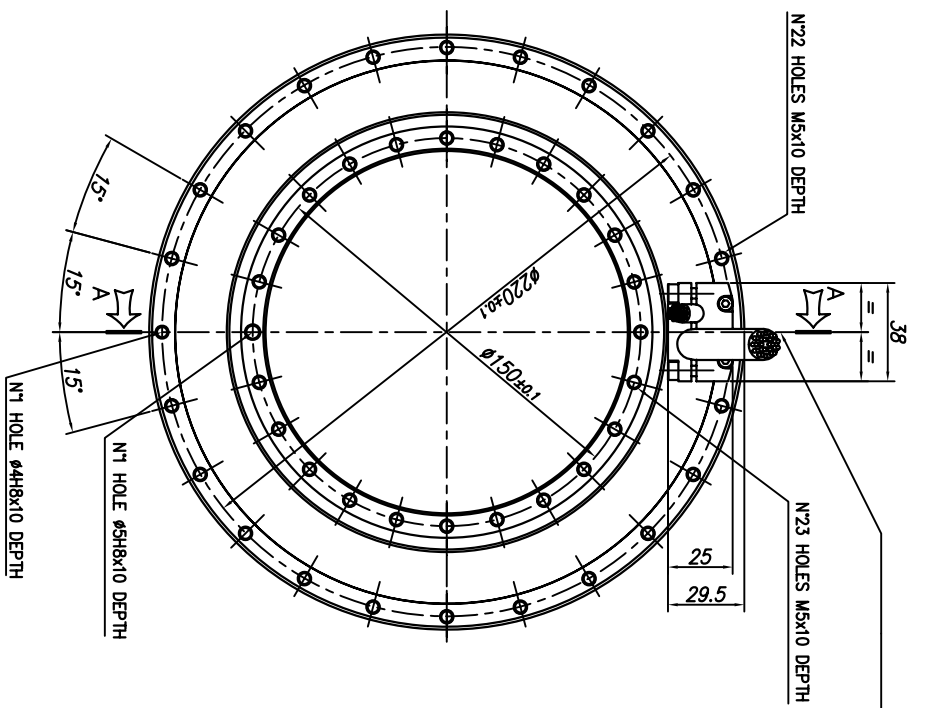


DETAIL "y-y"  
ROTOR INTERFACE TO  
CUSTOMER SHAFT

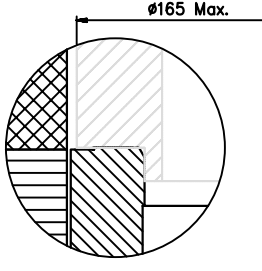
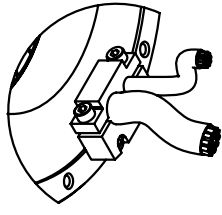


TECHNAI	GENERAL ASSEMBLY
ROTOR-STATOR KIT MK-CI 210	
MK-CI 210-100 MF	
1 OF 1	

Proprietà esclusiva di TECHNAI s.p.a. - Reproduzione e diffusione vietata, senza autorizzazione scritta.



To Drive with KTY 84 Input (Ex. Simondrive 611D(U) or multimeter with the appropriate rating.



Water Cooling IN  
Water Cooling OUT

SECTION "A-A"

MOTOR CABLE #12  
LENGTH 1 mt

SENSOR CABLE #7  
LENGTH 1 mt

DETAIL "Y-Y"  
ROTOR INTERFACE TO  
CUSTOM LINK SHAFT

CABLE OUTPUT  
CONFIGURATION  
MP

TECHNAI		GENERAL ASSEMBLY	
ROTOR-STATOR KIT MK-CI 210			
MK-CI 210-100 MP			
SHEET 1 OF 1			

Procedura di vendita di prodotto Technai s.r.l. - Reproduction & distribution without the authorization of Technai s.r.l.