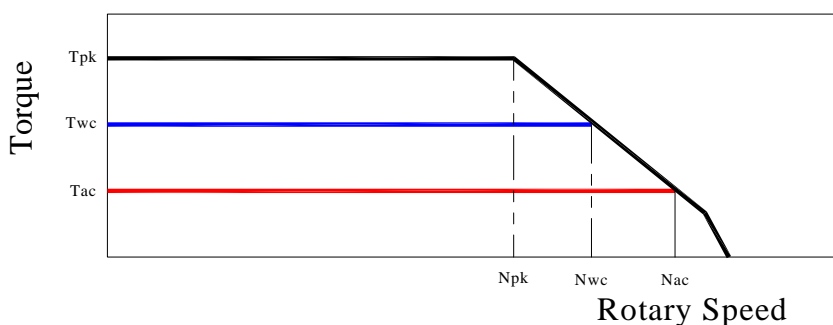
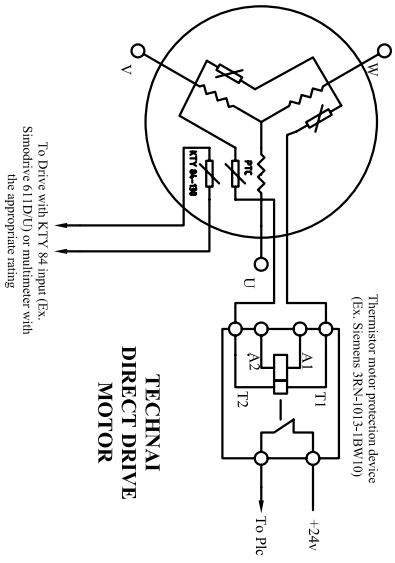
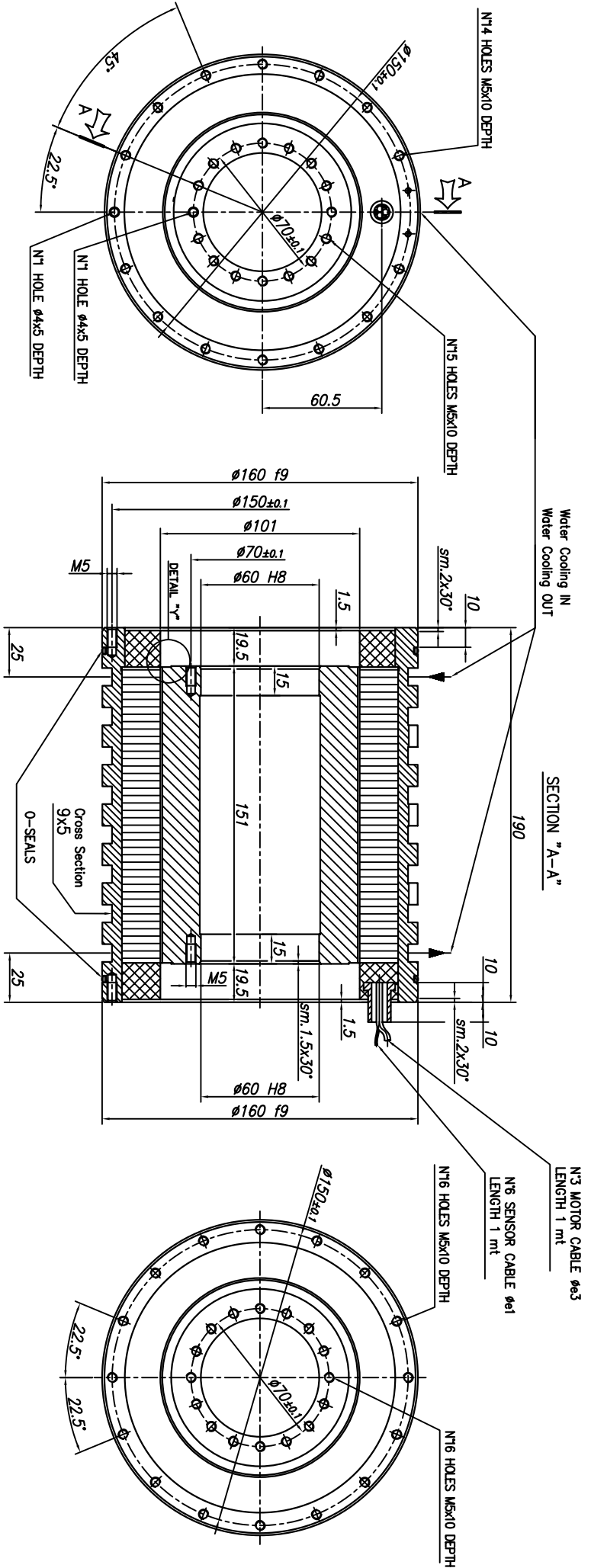


TORQUE MOTOR - MK-CI 140-150 WA

Motor specification	Symbol	Unit	
Number of pole	P		22
Peak Torque	T _{pk}	Nm	190
Continuos Torque (Water Cooling Dt100)	T _{wc}	Nm	98,6
Continuos Torque (Air Cooling Dt100)	T _{ac}	Nm	42
Stall Torque (Water Cooling)	T _{wsc}	Nm	75,3
Stall Torque (Air Cooling)	T _{sac}	Nm	32
Ripple Torque (Cogging Torque)	Tr	Nm	0,75
Power Loss at T _{wc}	P _{wc}	Kw	1,9
Power Loss at T _{ac}	P _{ac}	Kw	0,35
Termal Resistance Water Cooling	R _{thWc}	Kw	0,05
Termal Resistance Air Cooling	R _{thAc}	Kw	0,3
Torque Constant	K _t	Nm/a	11,7
Back EMF Constant	K _e	V/1000 Rpm	705
Maximum Speed at I _{pk} at 600 Vdc	N _{pk}	rpm	50
Maximum Speed at I _{wc} at 600 Vdc	N _{wc}	rpm	360
Maximum Speed at I _{ac} at 600 Vdc	N _{ac}	rpm	490
Winding Resistance (Phase to Phase)	R ₂₀	Ω	12,9
Winding Inductance (Phase to Phase)	L	mh	41,2
Peak Current	I _{pk}	Arms	23,4
Continuos Current (Water Cooling Dt100)	I _{wc}	Arms	8,5
Continuos Current (Air Cooling Dt100)	I _{ac}	Arms	3,6
Stall Current at 0 Speed (Water Cooling)	I _{wsc}	Arms	6,5
Stall Current at 0 Speed (Air Cooling)	I _{sac}	Arms	2,75
Maximum Winding Temperature		°C	130
Height of Rotor		mm	150
Height of Stator		mm	190
Stator jacket outer diameter		mm	160

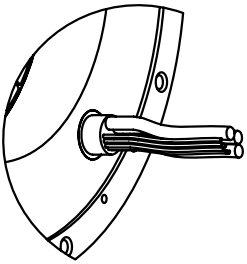
Torque diagram



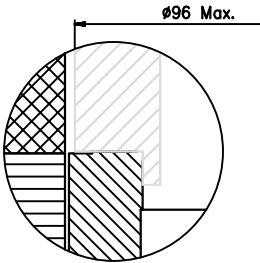


**TECHNAI
DIRECT DRIVE
MOTOR**

**CABLE OUTPUT
CONFIGURATION
M/F**

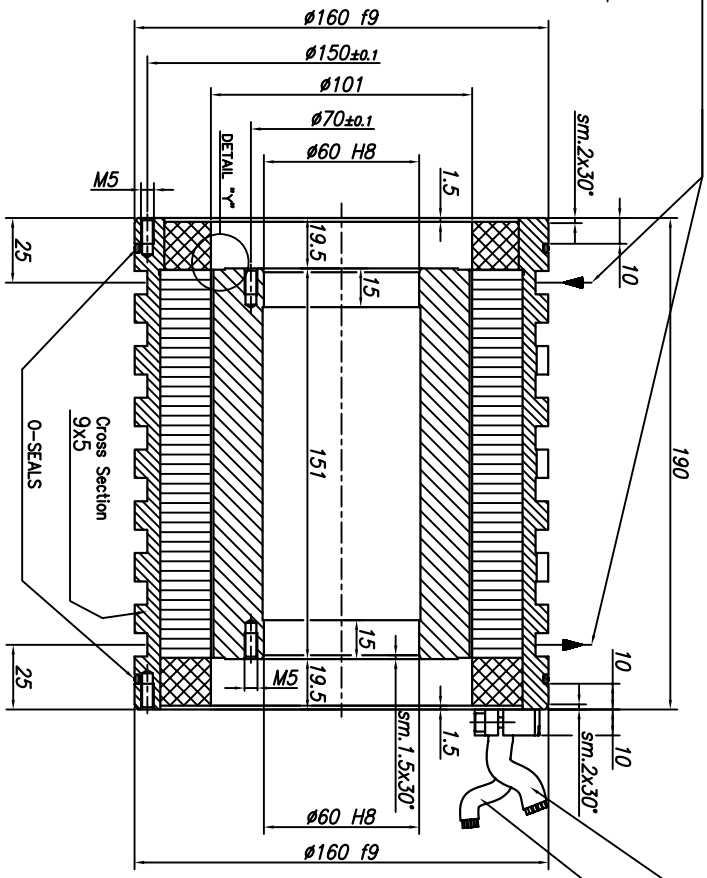
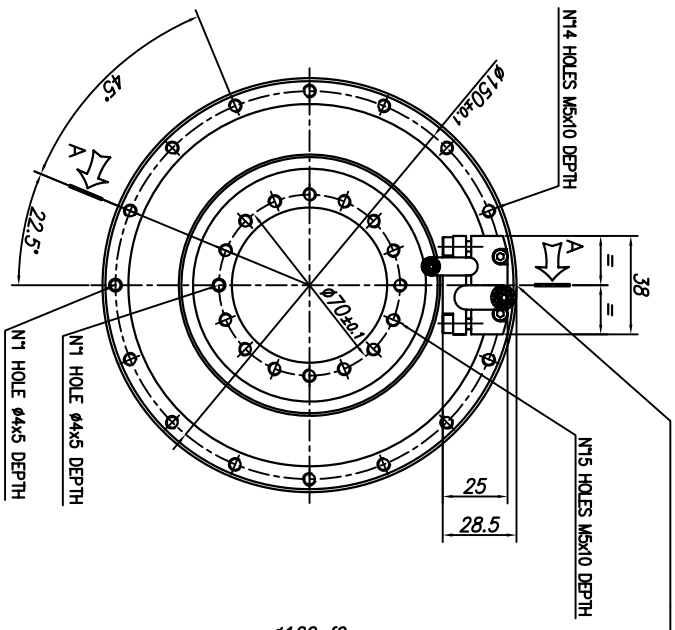


DETAIL "y"
**ROTOR INTERFACE TO
CUSTOMER SHAFT**



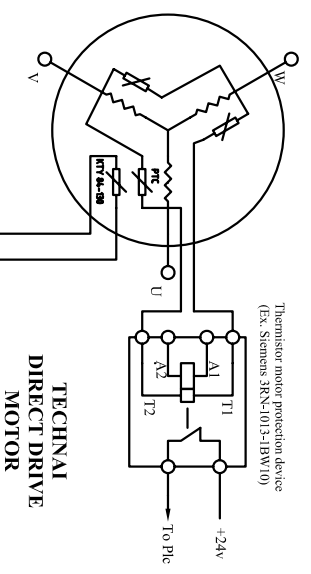
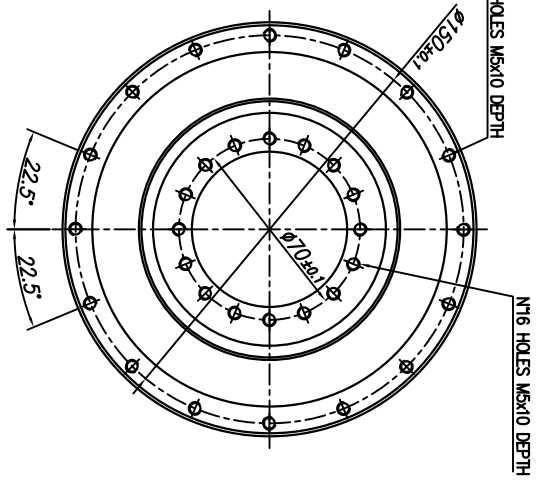
TECHNAI		GENERAL ASSEMBLY	
ROTOR-STATOR KIT MK-CI 140		MK-CI 140-150 M/F	
SHEET 1 OF 1			

Prodotto e distribuito in Italia da: Tecnai s.p.a. - Via S. Maria 10 - 40018 S. Maria S. Elia (BO) - Tel. 059/43001 - Fax 059/43002



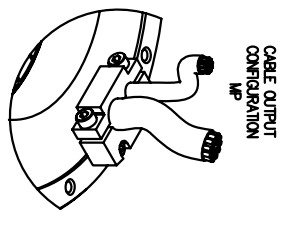
Water Cooling IN
Water Cooling OUT

MOTOR CABLE $\phi 9.5$
LENGTH 1 m
SENSOR CABLE $\phi 7$
LENGTH 1 m

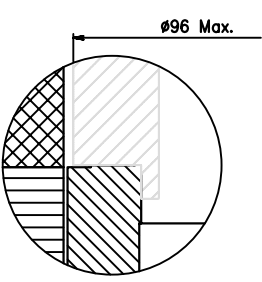


TECHNAI
DIRECT DRIVE
MOTOR

To Drive with KTY 84 input (EX: Simodevise 6.11D(U) or multimeter with the appropriate rating)



DETAIL "y"
ROTOR INTERFERENCE TO CUSTOMER SHAFT



ITEM	DESCRIPTION	QTY	UNIT
1	TECHNAI ROTOR-STATOR KIT MK-CI 140	1	Kit
2	TECHNAI MOTOR CABLE $\phi 9.5$ LENGTH 1 m	1	m
3	TECHNAI SENSOR CABLE $\phi 7$ LENGTH 1 m	1	m

TECHNAI	GENERAL ASSEMBLY
MODEL: ROTOR-STATOR KIT MK-CI 140	SHEET: 1 OF 1
CODE: MK-CI 140-150 MP	