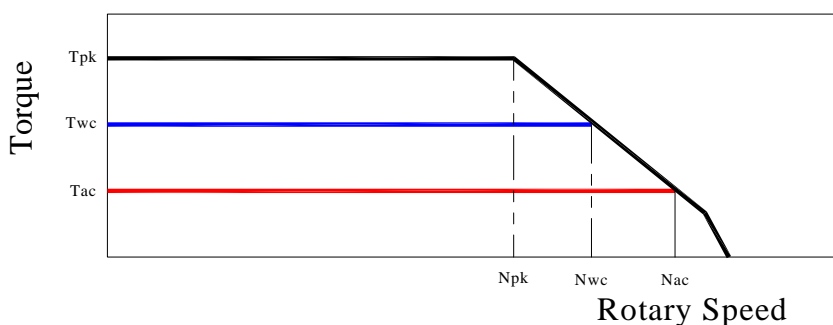
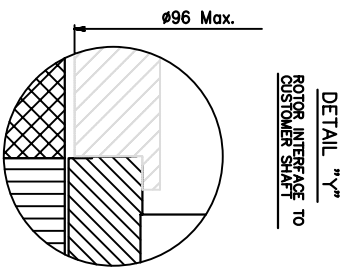
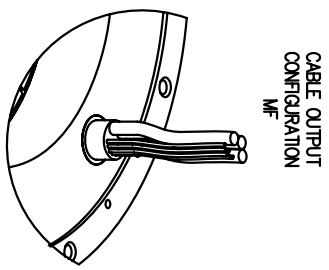
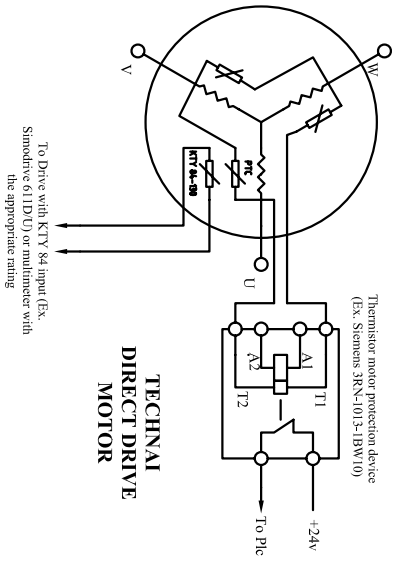
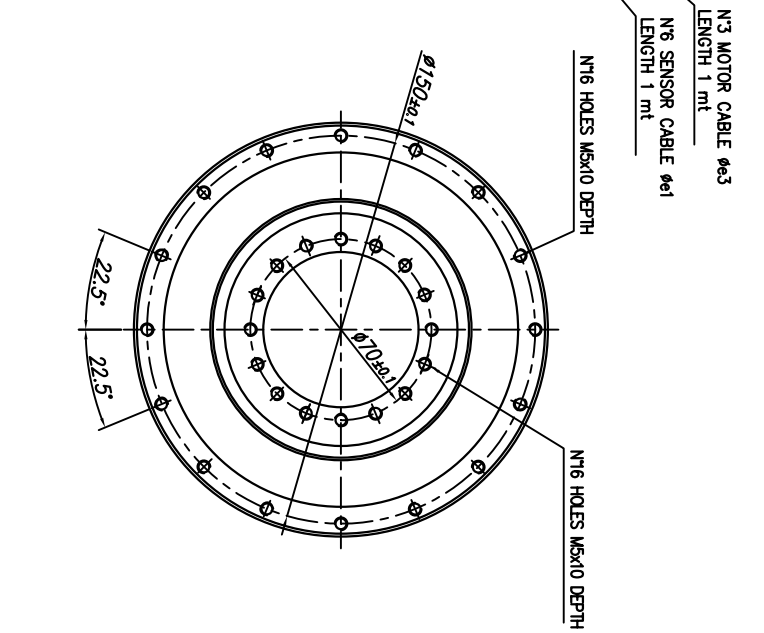
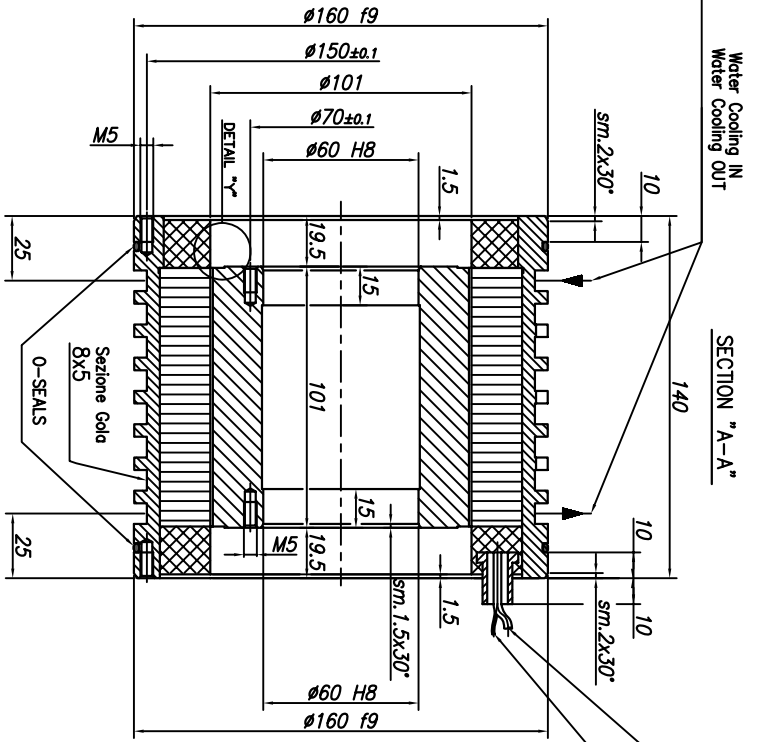
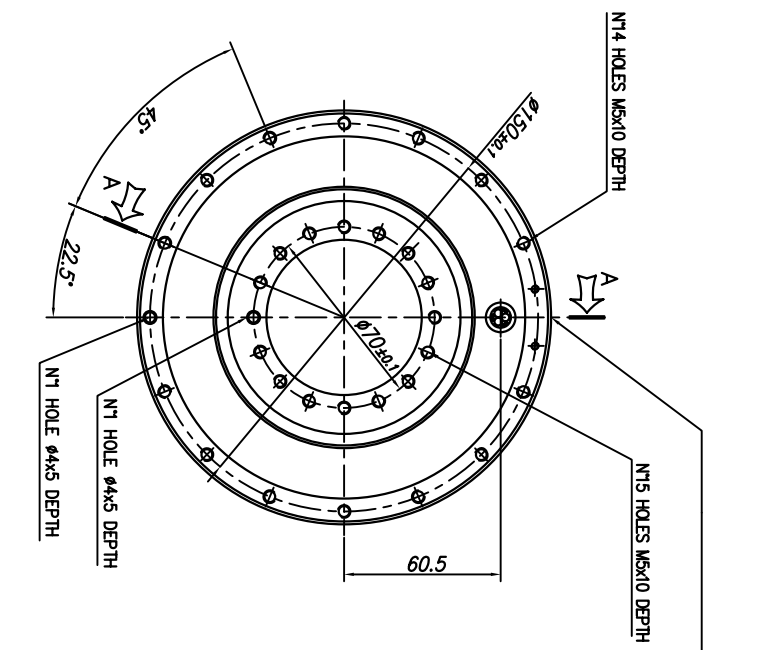


TORQUE MOTOR - MK-CI 140-100 WA

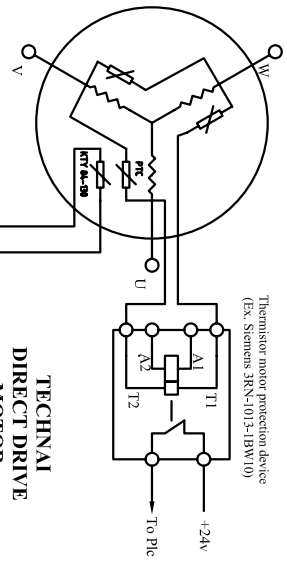
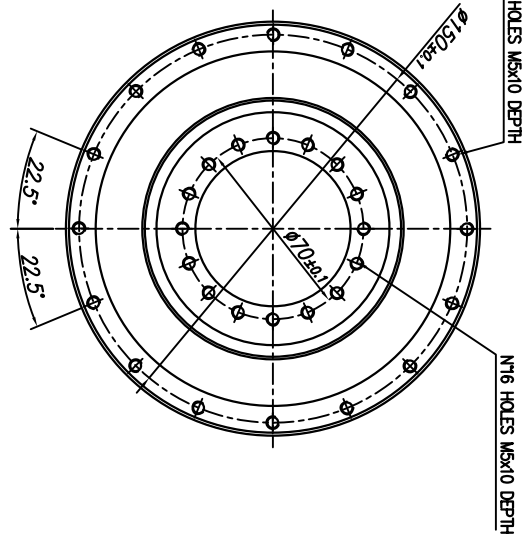
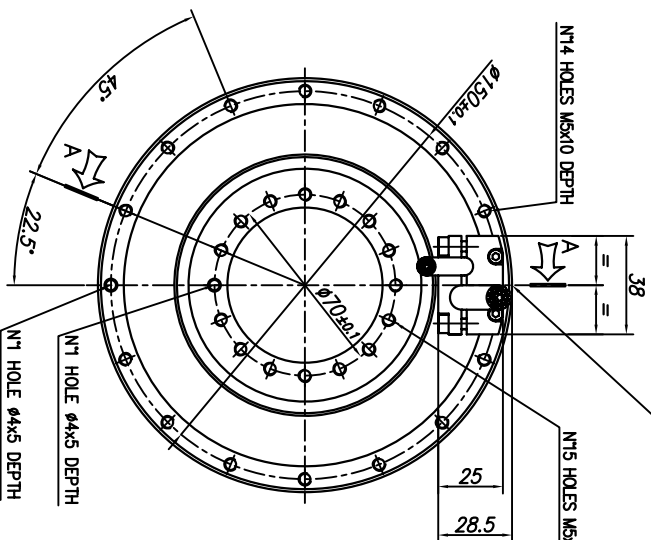
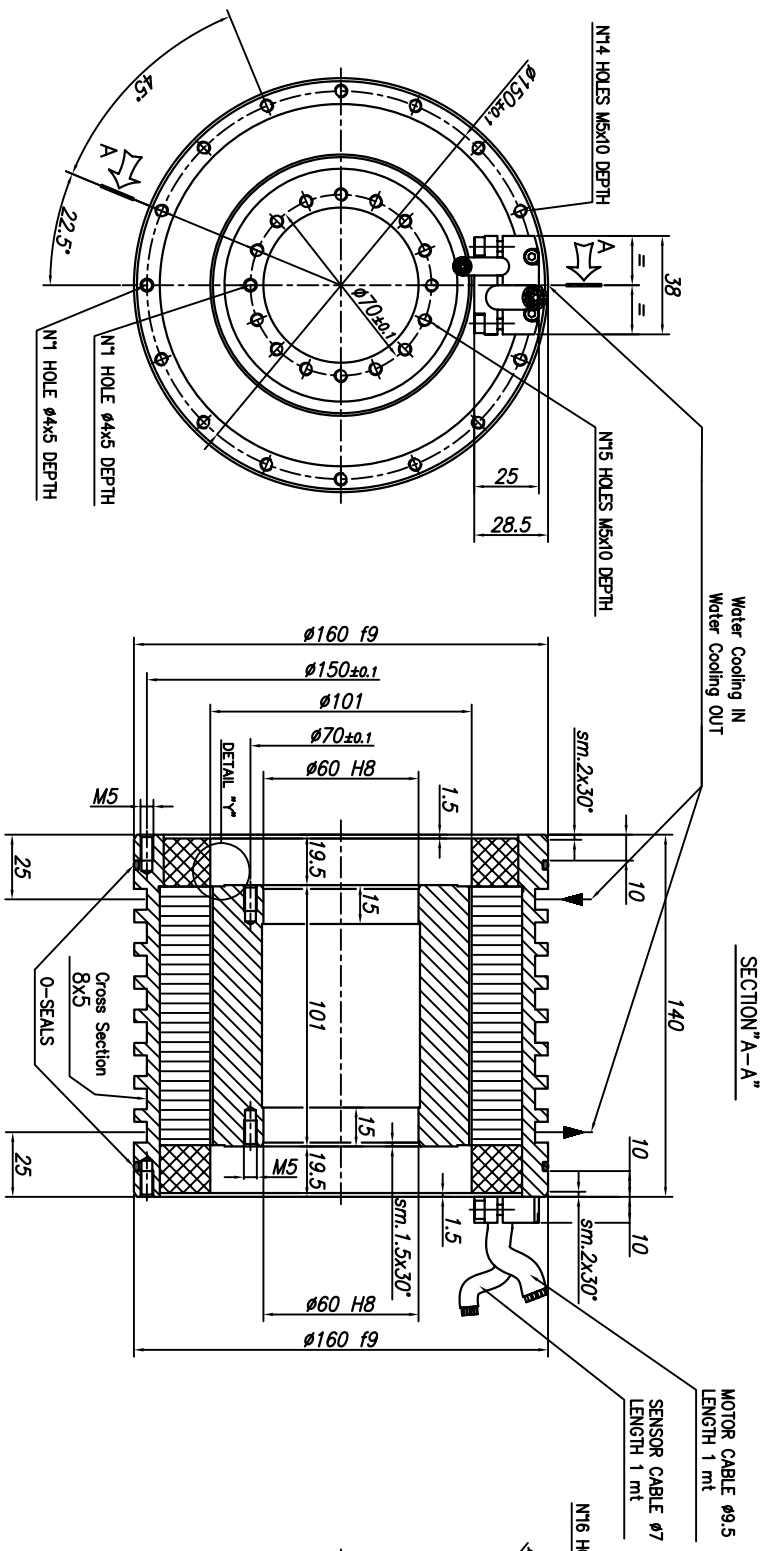
Motor specification	Symbol	Unit	
Number of pole	P		22
Peak Torque	T _{pk}	Nm	126
Continuos Torque (Water Cooling Dt100)	T _{wc}	Nm	65
Continuos Torque (Air Cooling Dt100)	T _{ac}	Nm	27,6
Stall Torque (Water Cooling)	T _{wsc}	Nm	49,6
Stall Torque (Air Cooling)	T _{sac}	Nm	21
Ripple Torque (Cogging Torque)	T _r	Nm	0,6
Power Loss at T _{wc}	P _{wc}	Kw	1,45
Power Loss at T _{ac}	P _{ac}	Kw	0,25
Termal Resistance Water Cooling	R _{thWc}	Kw	0,07
Termal Resistance Air Cooling	R _{thAc}	Kw	0,39
Torque Constant	K _t	Nm/a	7,8
Back EMF Constant	K _e	V/1000 Rpm	470
Maximum Speed at I _{pk} at 600 Vdc	N _{pk}	rpm	240
Maximum Speed at I _{wc} at 600 Vdc	N _{wc}	rpm	600
Maximum Speed at I _{ac} at 600 Vdc	N _{ac}	rpm	750
Winding Resistance (Phase to Phase)	R ₂₀	Ω	9,4
Winding Inductance (Phase to Phase)	L	mh	27,9
Peak Current	I _{pk}	Arms	23,4
Continuos Current (Water Cooling Dt100)	I _{wc}	Arms	8,5
Continuos Current (Air Cooling Dt100)	I _{ac}	Arms	3,6
Stall Current at 0 Speed (Water Cooling)	I _{wsc}	Arms	6,5
Stall Current at 0 Speed (Air Cooling)	I _{sac}	Arms	2,75
Maximum Winding Temperature		°C	130
Height of Rotor		mm	100
Height of Stator		mm	140
Stator jacket outer diameter		mm	160

Torque diagram

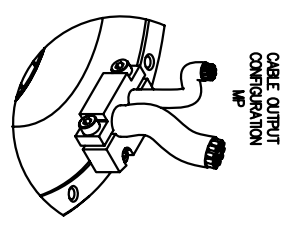




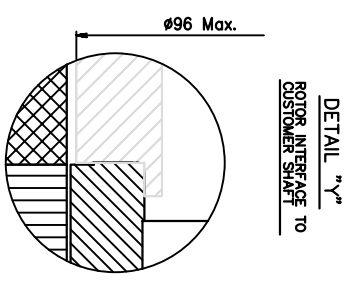
TECHNAI		GENERAL ASSEMBLY	
ROTOR-STATOR KIT MK-CI 140		MK-CI 140-100 MF	
SHEET 1 OF 1			



TECHNAI
DIRECT DRIVE
MOTOR



CABLE OUTPUT
CONFIGURATION



DETAIL "Y-Y"
ROTOR INTERFACE TO
CUSTOMER STATOR

TECHNAI	GENERAL ASSEMBLY
ROTOR-STATOR KIT MK-CI 140	
MP	
140	
1	
1	
1	
1	

Copyright © 2024 Technai s.r.l. - Reproduction or distribution without the authorisation of Technai s.r.l.