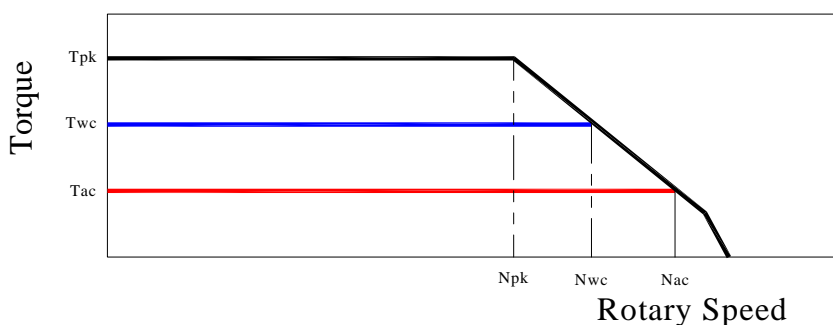
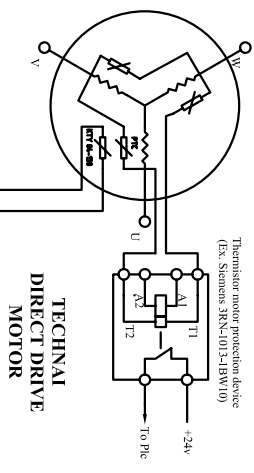
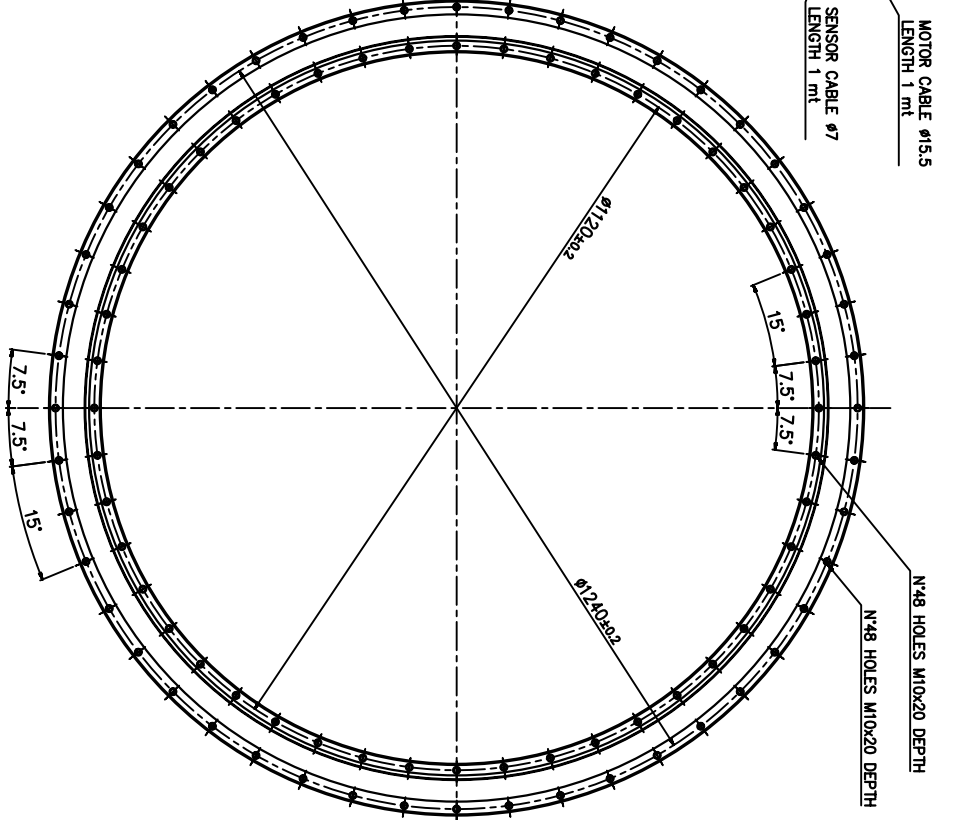
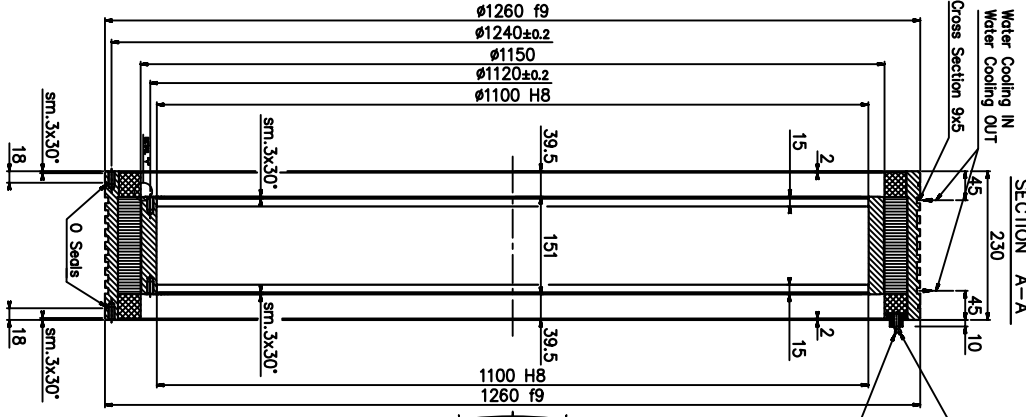
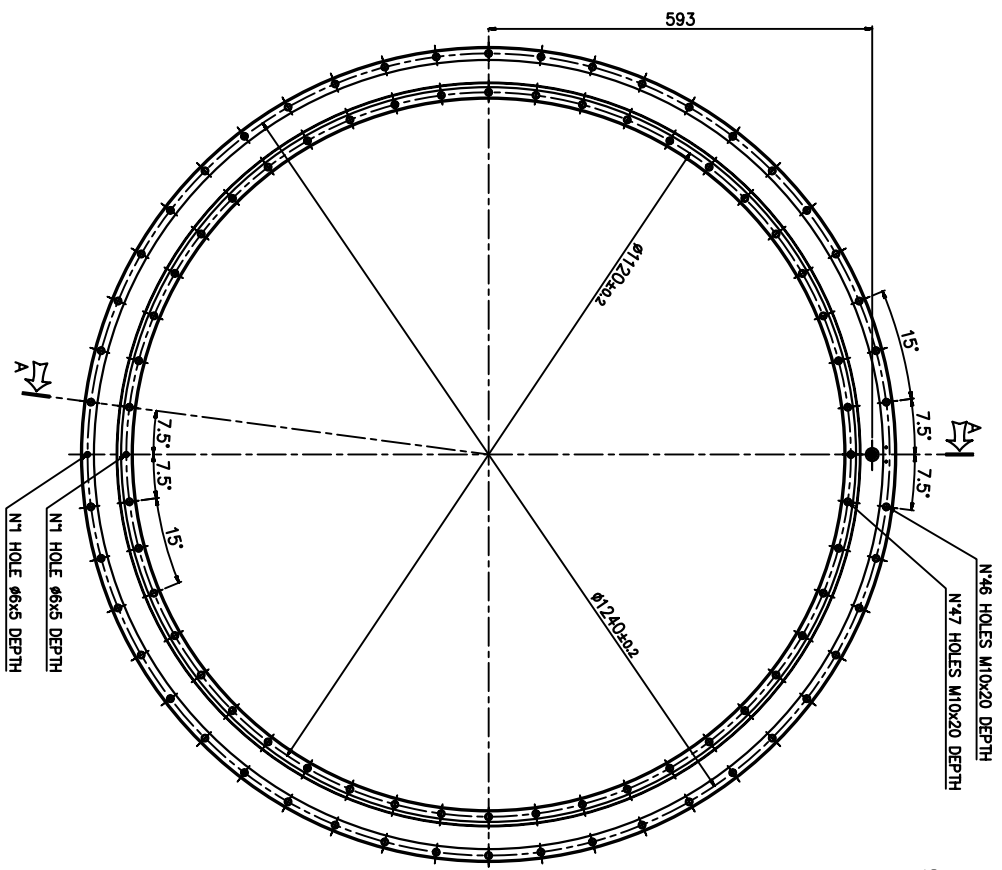


TORQUE MOTOR - MK-CI 1220-150 WA

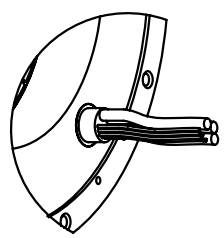
Motor specification	Symbol	Unit	
Number of pole	P		220
Peak Torque	T _{pk}	Nm	31290
Continuos Torque (Water Cooling Dt100)	T _{wc}	Nm	17300
Continuos Torque (Air Cooling Dt100)	T _{ac}	Nm	7350
Stall Torque (Water Cooling)	T _{wsc}	Nm	13240
Stall Torque (Air Cooling)	T _{sac}	Nm	5608
Ripple Torque (Cogging Torque)	Tr	Nm	120
Power Loss at T _{wc}	P _{wc}	Kw	21
Power Loss at T _{ac}	P _{ac}	Kw	3,7
Termal Resistance Water Cooling	R _{thWc}	Kw	0
Termal Resistance Air Cooling	R _{thAc}	Kw	0,03
Torque Constant	K _t	Nm/a	220,9
Back EMF Constant	K _e	V/1000 Rpm	13353
Maximum Speed at I _{pk} at 600 Vdc	N _{pk}	rpm	3
Maximum Speed at I _{wc} at 600 Vdc	N _{wc}	rpm	14
Maximum Speed at I _{ac} at 600 Vdc	N _{ac}	rpm	23
Winding Resistance (Phase to Phase)	R ₂₀	Ω	1,4
Winding Inductance (Phase to Phase)	L	mh	19
Peak Current	I _{pk}	Arms	203
Continuos Current (Water Cooling Dt100)	I _{wc}	Arms	82,8
Continuos Current (Air Cooling Dt100)	I _{ac}	Arms	34,3
Stall Current at 0 Speed (Water Cooling)	I _{wsc}	Arms	63,2
Stall Current at 0 Speed (Air Cooling)	I _{sac}	Arms	26,2
Maximum Winding Temperature		°C	130
Height of Rotor		mm	150
Height of Stator		mm	230
Stator jacket outer diameter		mm	1260

Torque diagram

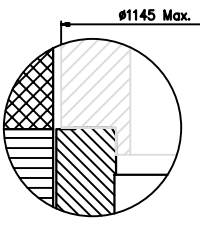




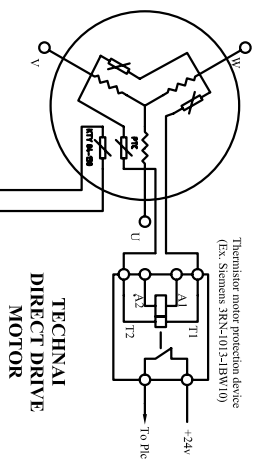
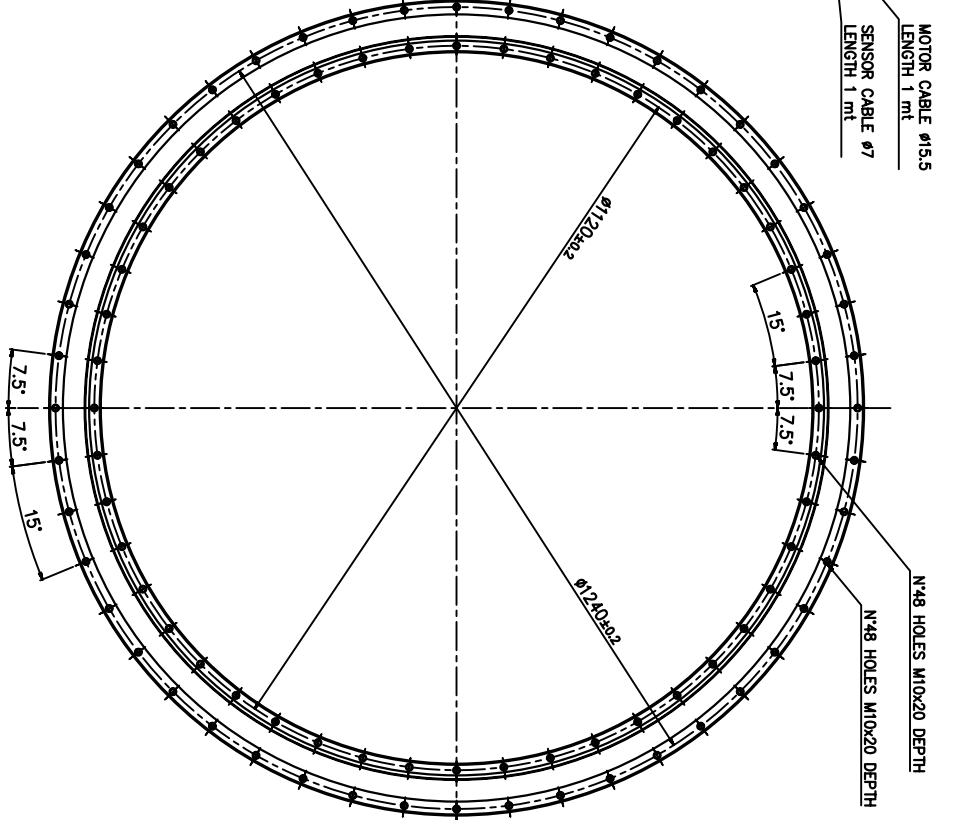
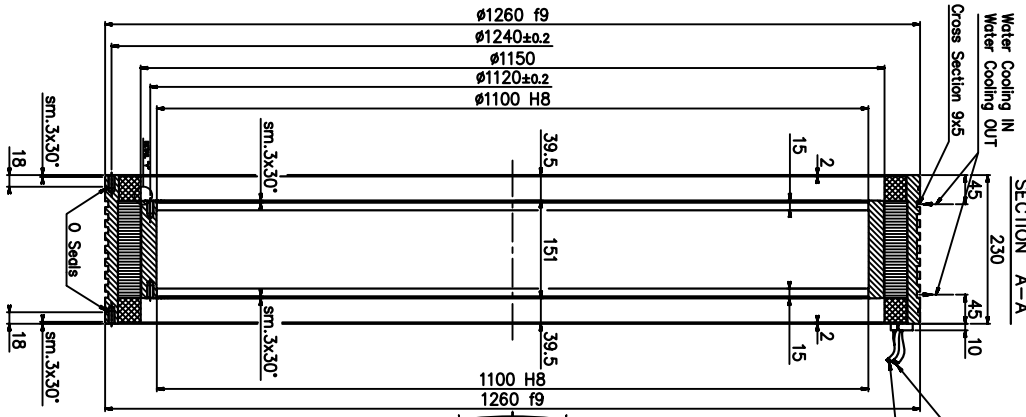
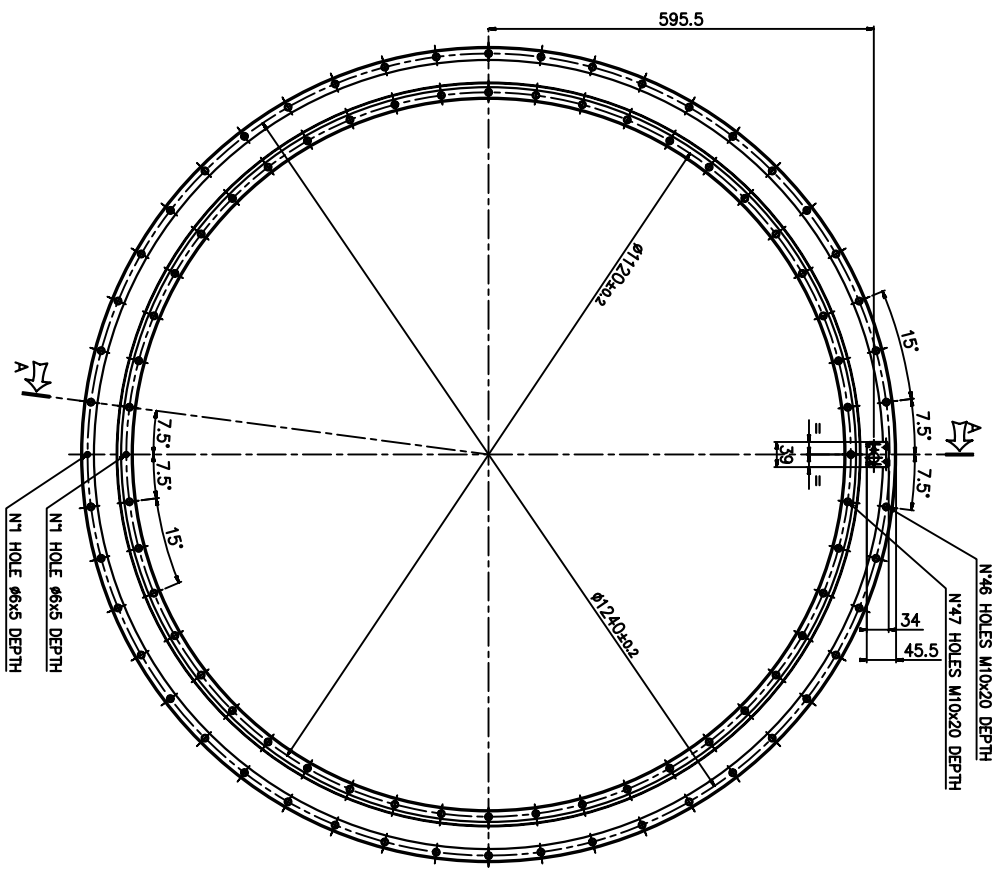
To Drive with KTY 84 input (Ex. Simodrive 611D(U) or multimeter with the appropriate rating)



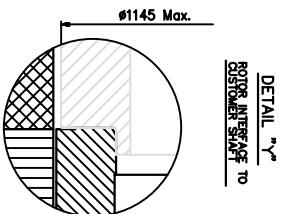
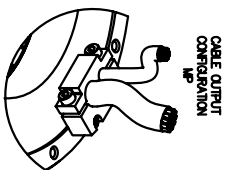
DETAIL "A-A"
ROTOR ASSEMBLY to
GENERAL ASSEMBLY



TECHNAI		GENERAL ASSEMBLY	
ROTOR-STATOR KIT MK-CI 1220		MK-CI 1220-150 MF	
SHEET 1 OF 1			



To Drive with KTY 84 input (Ex: Simondrive 611D(U) or multimeter with the appropriate rating)



GENERAL ASSEMBLY	
TECHNAI	ROTOR-STATOR KIT MK-CI 1220
CON	MK-CI 1220-150 MP
SHEET	1 OF 1
DATE	
DESIGNER	
REVISION	
SCALE	
PROJ. NO.	
REV.	
DATE	
BY	
CHECKED	
APPROVED	